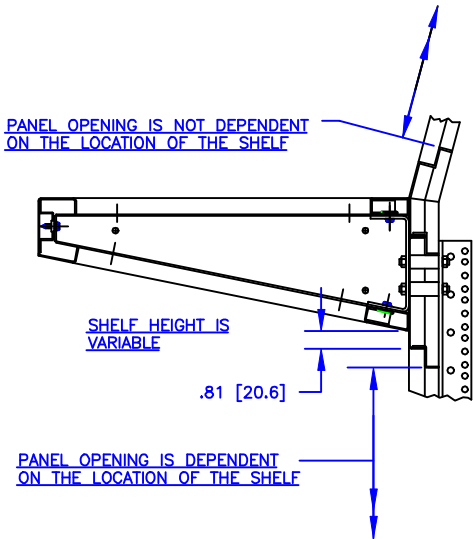


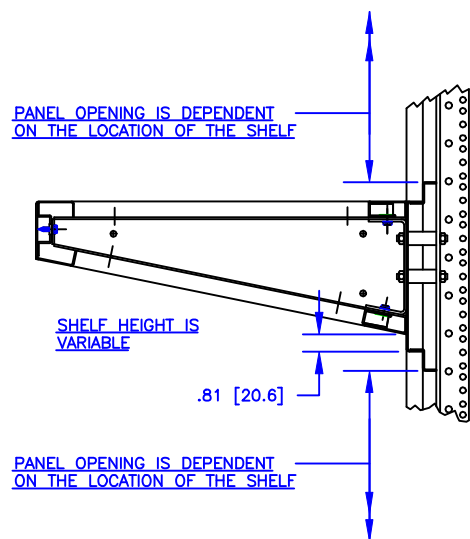
DETAIL A

MOUNTING DETAILS OF SHELF ON SLOPED FRONT CONSOLE FRAME OR AT TOP OF OPENING IN DESK, BENCH OR COUNTER HEIGHT VERTICAL RACK FRAMES.



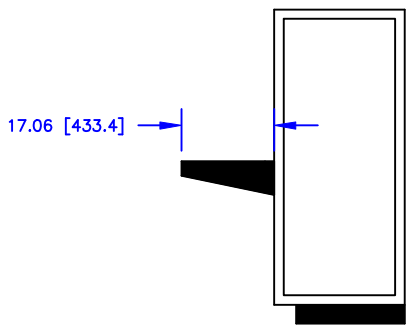
DETAIL B

MOUNTING DETAILS OF SHELF ON VERTICAL RACK FRAME

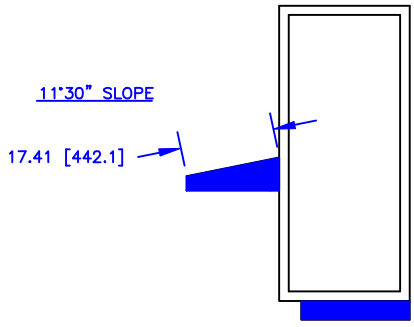


SHELF MOUNTING DETAILS

INVERTIBLE DETAIL



WORK/Writing SHELF MOUNTED HORIZONTAL

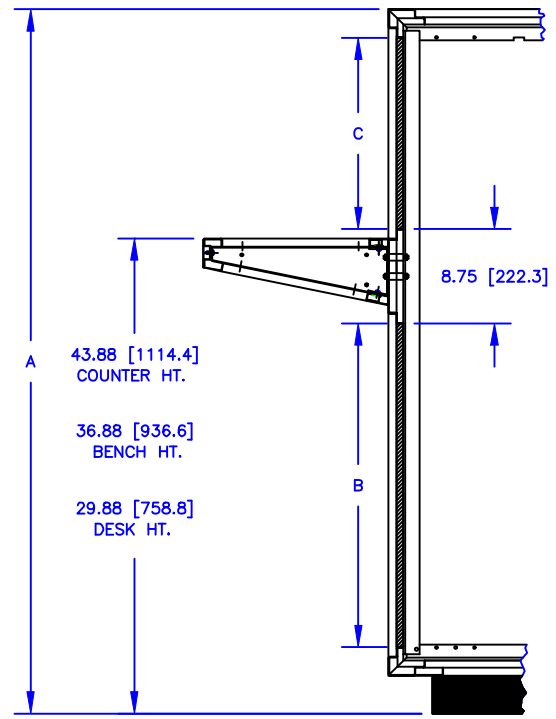


WORK/Writing SHELF MOUNTED INVERTED

OVERALL FRAME HEIGHT A	UPPER PANEL SIZE C		
	DESK HT.	BENCH HT.	COUNTER HT.
29.88 [758.8]	-----	-----	-----
36.88 [936.6]	3.50 [ 88.9]	-----	-----
43.88 [1114.4]	10.50 [266.7]	3.50 [ 88.9]	-----
50.88 [1292.2]	17.50 [444.5]	10.50 [266.7]	3.50 [ 88.9]
57.88 [1470.0]	24.50 [622.3]	17.50 [444.5]	10.50 [266.7]
64.88 [1647.8]	31.50 [800.1]	24.50 [622.3]	17.50 [444.5]
71.88 [1825.6]	38.50 [977.9]	31.50 [800.1]	24.50 [622.3]
78.88 [2003.4]	45.50 [1155.7]	38.50 [977.9]	31.50 [800.1]
85.88 [2181.2]	52.50 [1333.5]	45.50 [1155.7]	38.50 [977.9]
92.88 [2359.0]	59.50 [1511.3]	52.50 [1333.5]	45.50 [1155.7]

THREE BASIC SHELF LOCATIONS	LOWER PANEL SIZE B
DESK HEIGHT	15.75 [400.1]
BENCH HEIGHT	22.75 [577.9]
COUNTER HEIGHT	29.75 [755.7]

REFER TO PAGE 60 FOR REPRESENTATIONS



DIMENSIONS SHOWN INCHES [MILLIMETER] TOLERANCES EXCEPT AS SHOWN .XXX ±.015 [.40] .XX ±.030 [.79]

THE INVENTION, DESIGN, DETAIL AND TECHNICAL DATA SHOWN IN THIS REPRODUCTION OF ONE OF OUR PROPRIETARY ENGINEERING DRAWINGS IS THE PROPERTY OF EQUIPTO ELECTRONICS CORPORATION AND MUST BE USED SOLELY IN CONSIDERING THE PURCHASE FROM EQUIPTO ELECTRONICS CORPORATION OF THE EQUIPMENT OR MATERIAL DESCRIBED. ALL RIGHTS IN RESPECT THERETO ARE, THRU THIS DECLARATION, EXPRESSLY RESERVED, SPECIFICALLY PRECLUDING THE COPYING IN WHOLE OR PART WITHOUT OUR WRITTEN CONSENT.

EQUIPTO ENCLOSURE SYSTEMS

**INVERTIBLE WORK/Writing SHELF MOUNTING DETAILS**