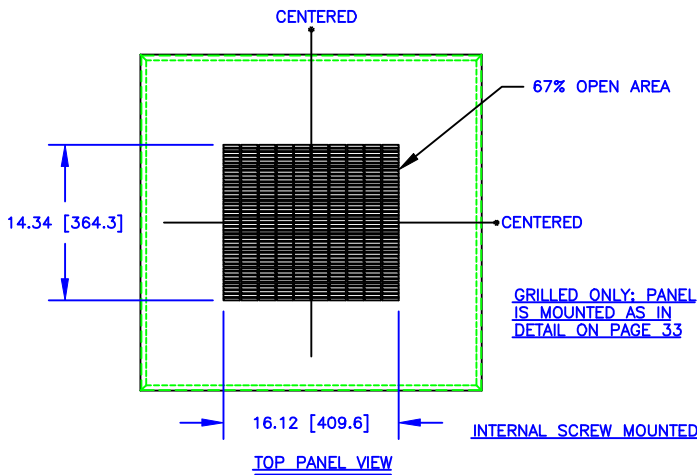


NOTE: TOP PANELS THAT USE BOTH GRILL & FILTER ARE FORMED DIFFERENT AND ARE MOUNTED USING BRACKET SHOWN ABOVE. THE FILTER RETAINER IS SHOWN FROM THE NEAR SIDE FOR CLARITY.

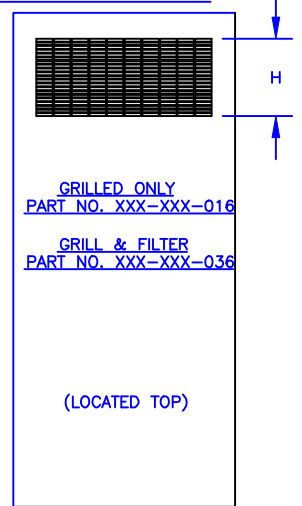
VIEW SHOWS TYPICAL MOUNTING OF TOP PANEL WITH GRILL AND FILTER. THE LAST THREE DIGITS OF TOP PANEL PART NO. BECOME XXX-XXX-039

GRILL LOCATIONS & CATALOG NUMBERS FOR ALL VERTICAL RACK FRONT, SIDE, REAR PANELS & DOORS



H	PANEL SIZE
3.69 [93.7]	UP TO 33.25" [844.6]
7.12 [181.0]	35" [889] THRU 63" [1600]
14.34 [364.3]	64.75 [1644.7] THRU 84" [2134]

PANELS THAT ARE INTERNAL SCREW FASTENED ARE NOT AVAILABLE WITH THE FILTER



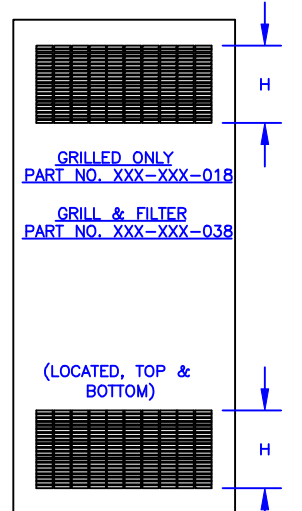
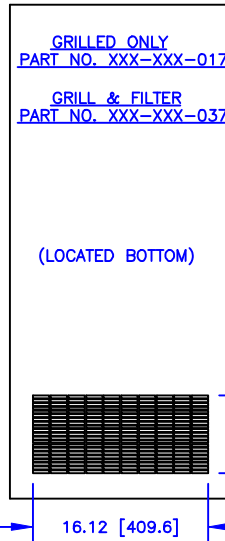
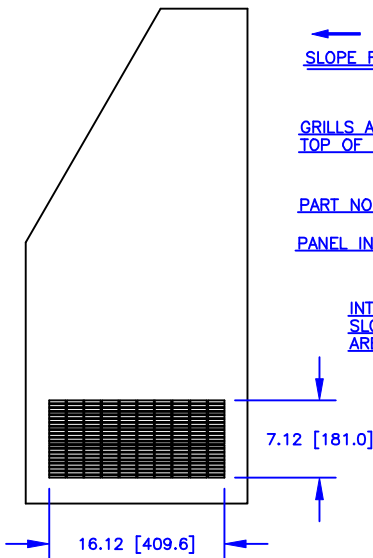
WHEN ORDERING TOP PANEL WITHOUT FILTER AND WITH GRILL ONLY, THE LAST THREE DIGITS OF THE PART NO. BECOME 371-XXX-019

SLOPE FRONT SIDE PANELS

GRILLS ARE NOT AVAILABLE AT TOP OF SLOPE FRONT SIDE PANELS

PART NO. BECOMES XXX-XXX-017
PANEL INFORMATION, PAGES 34-42.

INTERNAL SCREW FASTENED SLOPE FRONT SIDE PANELS ARE NOT AVAILABLE WITH FILTERS



DIMENSIONS SHOWN INCHES [MILLIMETER]

TOLERANCES EXCEPT AS SHOWN .XXX ±.015 [.40] .XX ±.030 [.79]

THE INVENTION, DESIGN, DETAIL AND TECHNICAL DATA SHOWN IN THIS REPRODUCTION OF ONE OF OUR PROPRIETARY ENGINEERING DRAWINGS IS THE PROPERTY OF EQUIPTO ELECTRONICS CORPORATION AND MUST BE USED SOLELY IN CONSIDERING THE PURCHASE FROM EQUIPTO ELECTRONICS CORPORATION OF THE EQUIPMENT OR MATERIAL DESCRIBED. ALL RIGHTS IN RESPECT THERETO ARE, THRU THIS DECLARATION, EXPRESSLY RESERVED, SPECIFICALLY PRECLUDING THE COPYING IN WHOLE OR PART WITHOUT OUR WRITTEN CONSENT.

EQUIPTO ENCLOSURE SYSTEMS

GRILL & FILTER DETAILS FOR TOP, FRONT, SIDE, REAR PANELS & DOORS