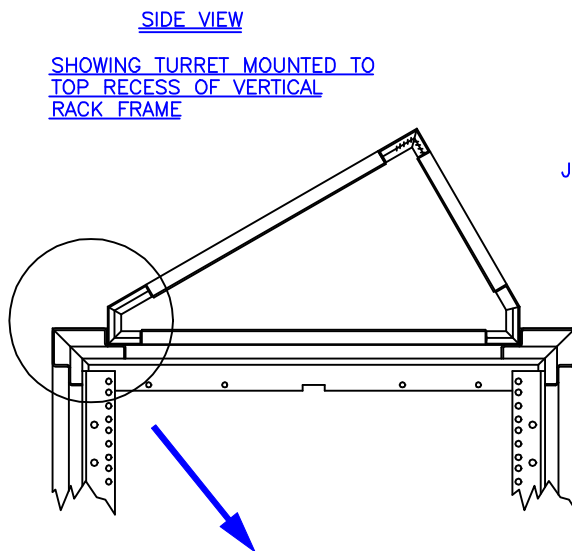


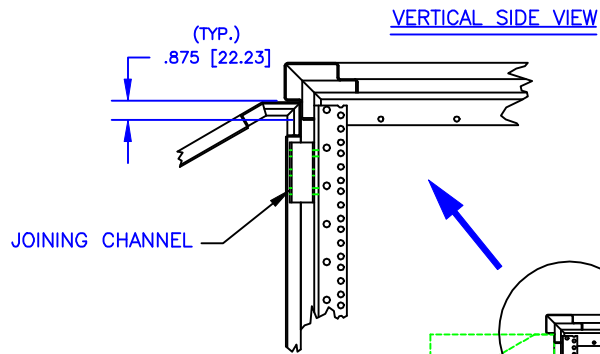
TOP VIEW

SHOWING VERTICAL RACK ASSEMBLY WITH TURRETS MOUNTED FRONT AND TYPICAL SPACING BETWEEN TURRETS



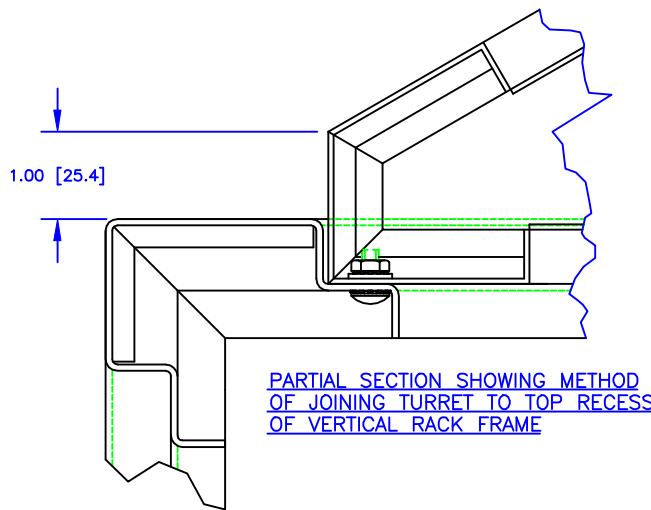
SIDE VIEW

SHOWING TURRET MOUNTED TO TOP RECESS OF VERTICAL RACK FRAME

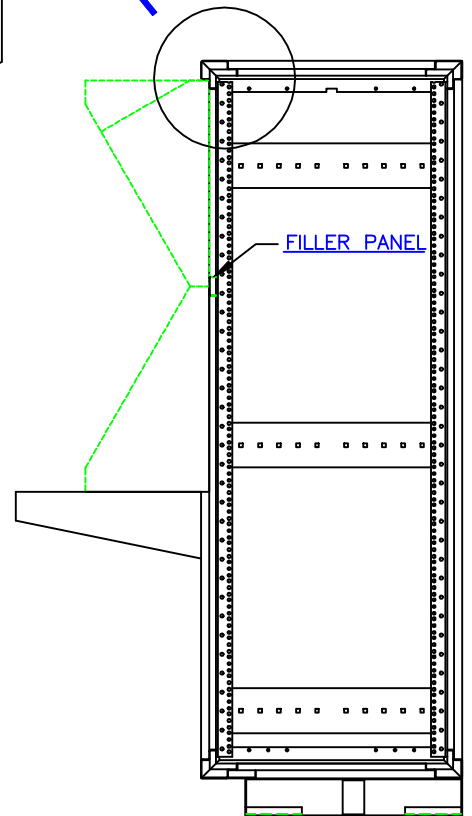


VERTICAL SIDE VIEW

JOINING CHANNEL



PARTIAL SECTION SHOWING METHOD OF JOINING TURRET TO TOP RECESS OF VERTICAL RACK FRAME



FILLER PANEL

SIDE VIEW

VIEW SHOWING VERTICAL RACK WITH THREE POSSIBLE TURRET MOUNTINGS.

THE INVENTION, DESIGN, DETAIL AND TECHNICAL DATA SHOWN IN THIS REPRODUCTION OF ONE OF OUR PROPRIETARY ENGINEERING DRAWINGS IS THE PROPERTY OF EQUIPTO ELECTRONICS CORPORATION AND MUST BE USED SOLELY IN CONSIDERING THE PURCHASE FROM EQUIPTO ELECTRONICS CORPORATION OF THE EQUIPMENT OR MATERIAL DESCRIBED. ALL RIGHTS IN RESPECT THERETO ARE, THRU THIS DECLARATION, EXPRESSLY RESERVED, SPECIFICALLY PRECLUDING THE COPYING IN WHOLE OR PART WITHOUT OUR WRITTEN CONSENT.

EQUIPTO ENCLOSURE SYSTEMS

TURRET MOUNTING DETAILS