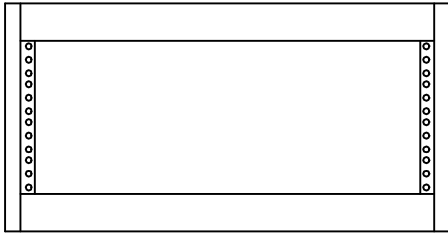
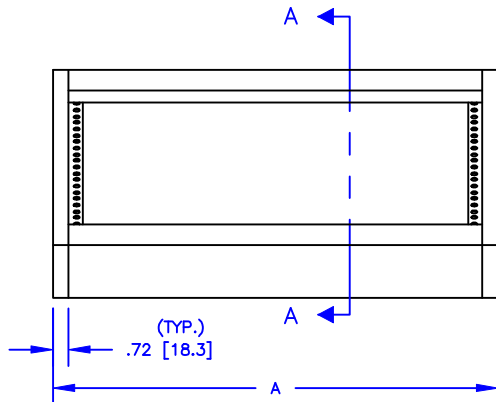


NOTES:

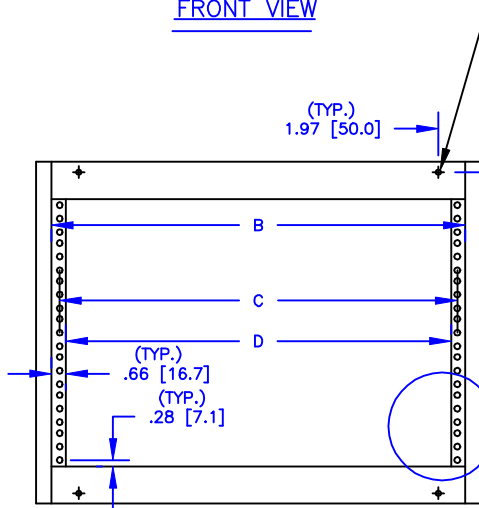
- 1) SEE PAGE B17, FOR PARTIAL SECTION THROUGH TURRET FRAME SIDE, SHOWING PANEL MOUNTING DETAILS
- 2) FOR TURRET MOUNTING DETAILS SEE PAGE B25.



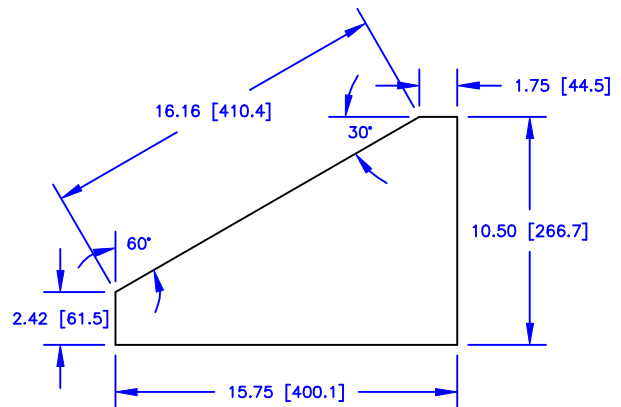
REAR VIEW



FRONT VIEW

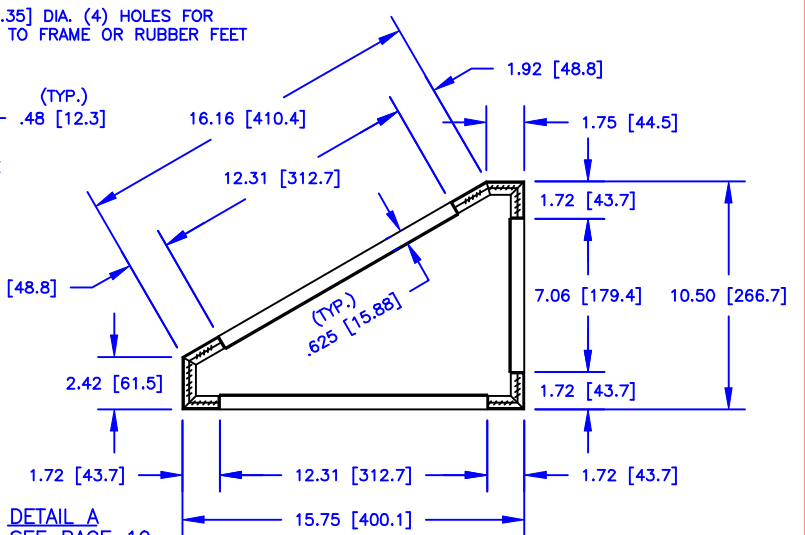


BOTTOM VIEW



SIDE VIEW

.250 [6.35] DIA. (4) HOLES FOR JOINING TO FRAME OR RUBBER FEET



SECTION A - A

DETAIL A  
SEE PAGE 10

PART NUMBER	A	B	C	D
191-612-010	20.50 [520.7]	19.06 [484.2]	18.31 [465.1]	17.75 [450.9]
191-612-040	25.50 [647.7]	24.06 [611.2]	23.31 [592.1]	22.75 [577.9]

DIMENSIONS SHOWN INCHES [MILLIMETER] TOLERANCES EXCEPT AS SHOWN .XXX ±.015 [.40] .XX ±.030 [.79]

THE INVENTION, DESIGN, DETAIL AND TECHNICAL DATA SHOWN IN THIS REPRODUCTION OF ONE OF OUR PROPRIETARY ENGINEERING DRAWINGS IS THE PROPERTY OF EQUIPTO ELECTRONICS CORPORATION AND MUST BE USED SOLELY IN CONSIDERING THE PURCHASE FROM EQUIPTO ELECTRONICS CORPORATION OF THE EQUIPMENT OR MATERIAL DESCRIBED. ALL RIGHTS IN RESPECT THERETO ARE, THRU THIS DECLARATION, EXPRESSLY RESERVED, SPECIFICALLY PRECLUDING THE COPYING IN WHOLE OR PART WITHOUT OUR WRITTEN CONSENT.

EQUIPTO ENCLOSURE SYSTEMS

TURRET FRAME, 60° SLOPE  
19" [482.6] & 24" [609.6] WIDE  
12.25 [311.2] HIGH PANEL SPACE ON SLOPE