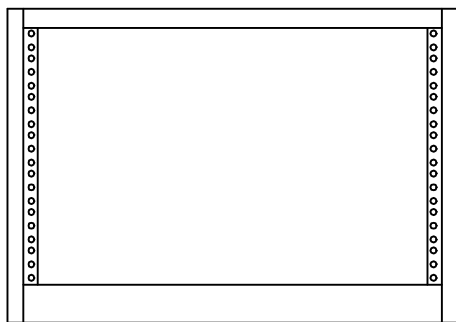
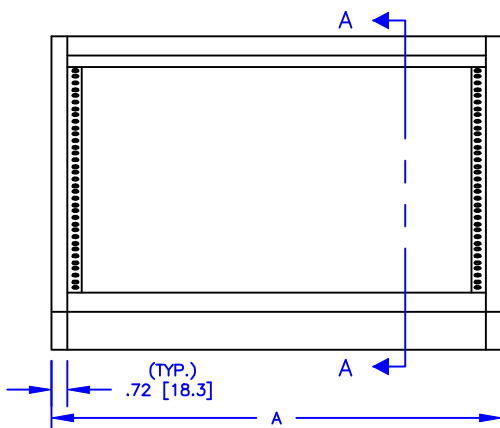


NOTES:

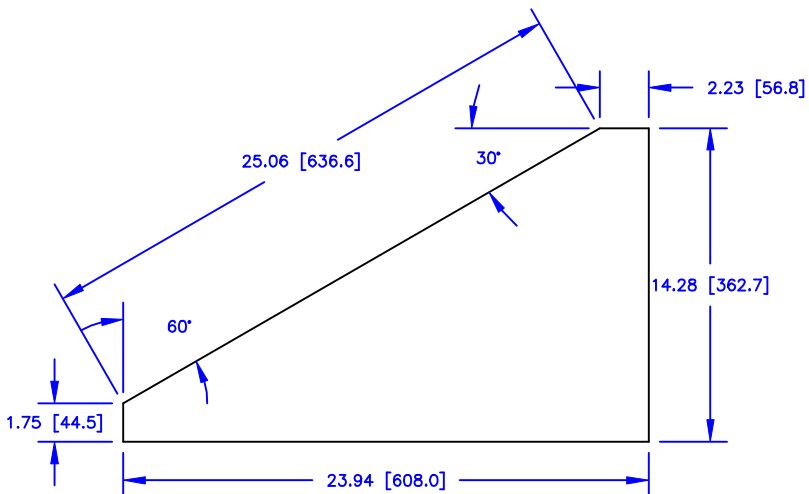
- 1) SEE PAGE B17, FOR PARTIAL SECTION THROUGH TURRET FRAME SIDE, SHOWING PANEL MOUNTING DETAILS
- 2) FOR TURRET MOUNTING DETAILS SEE PAGE B25.



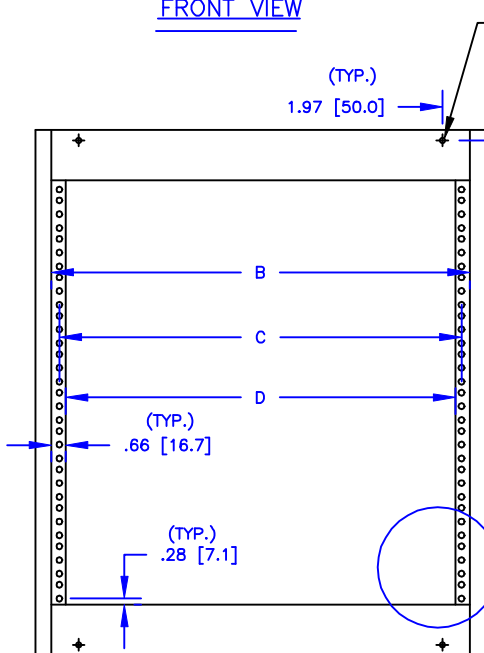
REAR VIEW



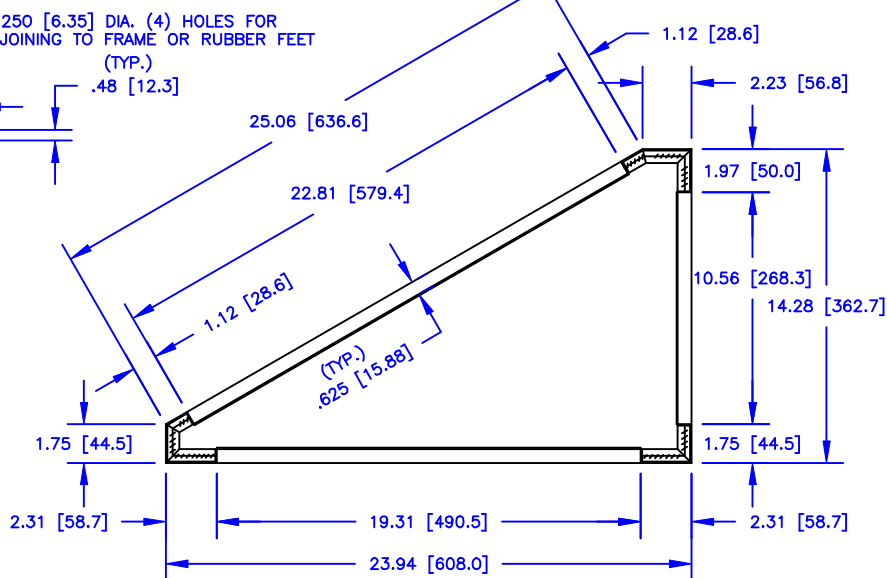
FRONT VIEW



SIDE VIEW



BOTTOM VIEW



SECTION A - A

DETAIL A
SEE PAGE 10

.250 [6.35] DIA. (4) HOLES FOR JOINING TO FRAME OR RUBBER FEET
(TYP.)
.48 [12.3]

PART NUMBER	A	B	C	D
193-622-030	20.50 [520.7]	19.06 [484.2]	18.31 [465.1]	17.75 [450.9]
193-622-060	25.50 [647.7]	24.06 [611.2]	23.31 [592.1]	22.75 [577.9]

DIMENSIONS SHOWN INCHES [MILLIMETER] TOLERANCES EXCEPT AS SHOWN .XXX ±.015 [.40] .XX ±.030 [.79]

TURRET FRAME, 60° SLOPE, 19" [482.6] & 24" [609.6] WIDE, 22.75" [577.9] HIGH PANEL SPACE ON SLOPE

THE INVENTION, DESIGN, DETAIL AND TECHNICAL DATA SHOWN IN THIS REPRODUCTION OF ONE OF OUR PROPRIETARY ENGINEERING DRAWINGS IS THE PROPERTY OF EQUIPTO ELECTRONICS CORPORATION AND MUST BE USED SOLELY IN CONSIDERING THE PURCHASE FROM EQUIPTO ELECTRONICS CORPORATION OF THE EQUIPMENT OR MATERIAL DESCRIBED. ALL RIGHTS IN RESPECT THERETO ARE, THRU THIS DECLARATION, EXPRESSLY RESERVED, SPECIFICALLY PRECLUDING THE COPYING IN WHOLE OR PART WITHOUT OUR WRITTEN CONSENT.

EQUIPTO ENCLOSURE SYSTEMS