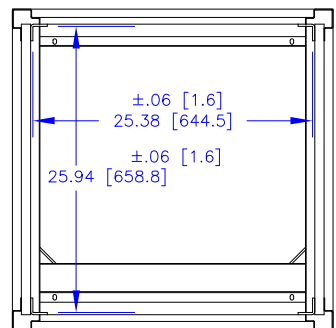
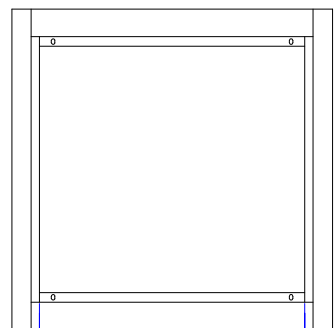
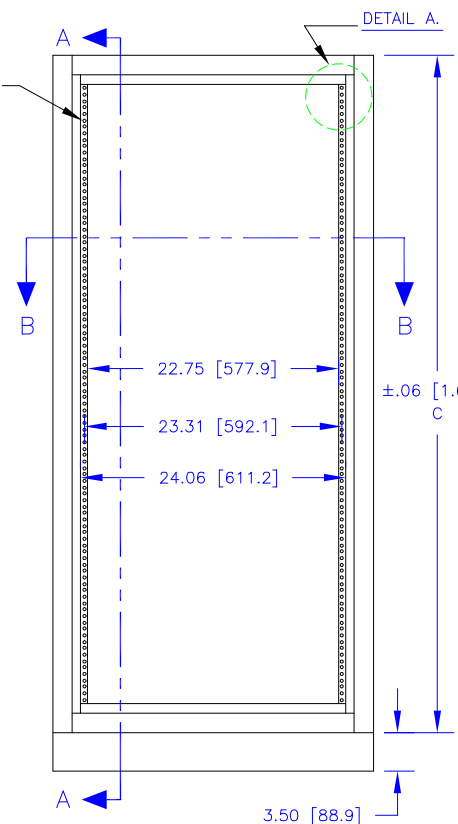


TOP VIEW

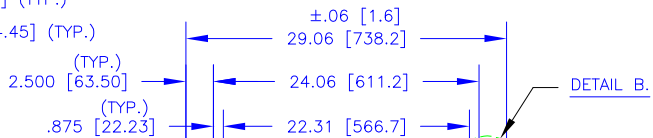


SECTION B-B

.281 [7.14] DIA. MTG. HOLES, (UNIVERSAL SPACING PER E.I.A. STD. EIA-310)

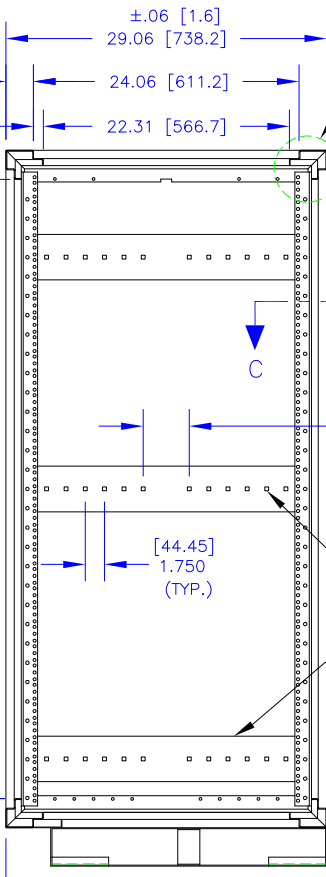


FRONT VIEW



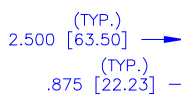
DETAIL A

DETAIL B



SECTION C-C

LOCATION & QUANTITIES OF ANGLE SUPPORT CHANNELS (PER CHART)



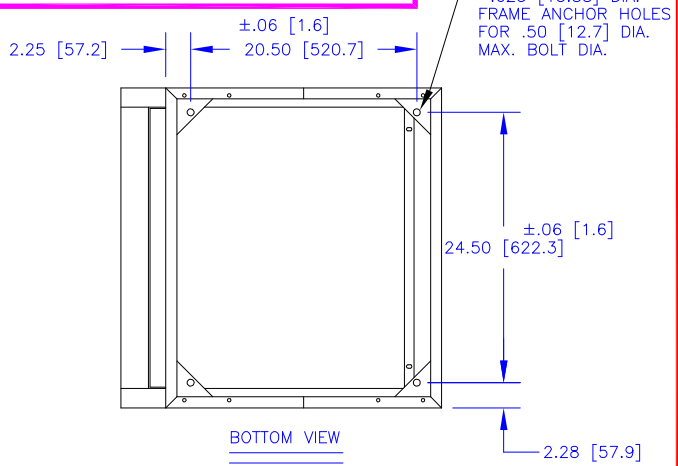
SECTION A-A

PART NUMBER	A	B	C
170-021-060	21.12 [536.6]	22.88 [581.0]	26.38 [669.9]
170-028-060	28.12 [714.4]	29.88 [758.8]	33.38 [847.7]
170-035-060	35.12 [892.2]	36.88 [936.6]	40.38 [1025.5]
170-042-060	42.12 [1070.0]	43.88 [1114.4]	47.38 [1203.3]
170-049-060	49.12 [1247.8]	50.88 [1292.2]	54.38 [1381.1]
170-056-060	56.12 [1425.6]	57.88 [1470.0]	61.38 [1558.9]
170-063-060	63.12 [1603.4]	64.88 [1647.8]	68.38 [1736.7]
170-070-060	70.12 [1781.2]	71.88 [1825.6]	75.38 [1914.5]
170-077-060	77.12 [1959.0]	78.88 [2003.4]	82.38 [2092.3]
170-084-060	84.12 [2136.8]	85.88 [2181.2]	89.38 [2270.1]

DIMENSIONS SHOWN INCHES [MILLIMETER]

TOLERANCES EXCEPT AS SHOWN .XXX ±.015 [.40] .XX ±.030 [.79]

NOTE: SHOWN W/ OPTIONAL RECESSED BASE



BOTTOM VIEW

THE INVENTION, DESIGN, DETAIL AND TECHNICAL DATA SHOWN IN THIS REPRODUCTION OF ONE OF OUR PROPRIETARY ENGINEERING DRAWINGS IS THE PROPERTY OF EQUIPTO ELECTRONICS CORPORATION AND MUST BE USED SOLELY IN CONSIDERING THE PURCHASE FROM EQUIPTO ELECTRONICS CORPORATION OF THE EQUIPMENT OR MATERIAL DESCRIBED. ALL RIGHTS IN RESPECT THERETO ARE, THRU THIS DECLARATION, EXPRESSLY RESERVED, SPECIFICALLY PRECLUDING THE COPYING IN WHOLE OR PART WITHOUT OUR WRITTEN CONSENT.

EQUIPTO ENCLOSURE SYSTEMS

FRAMES, VERTICAL RACK  
24" [609.6] PANEL WIDTH  
29-1/16" [738.2] DEEP