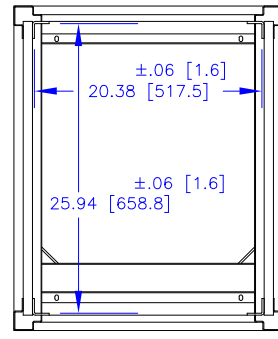
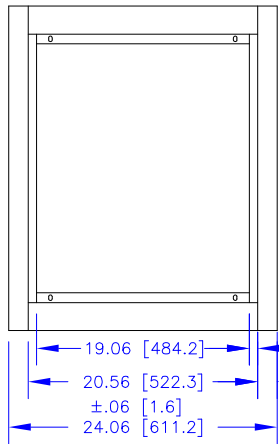
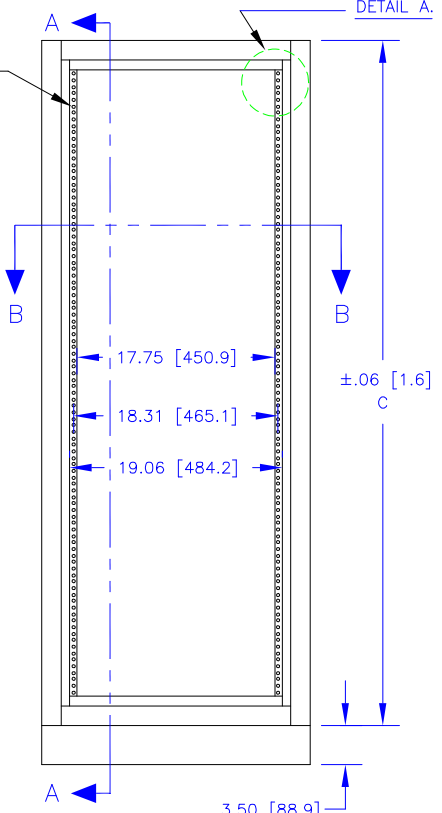


TOP VIEW

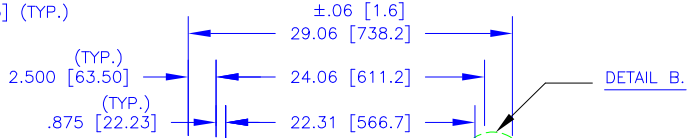


SECTION B-B

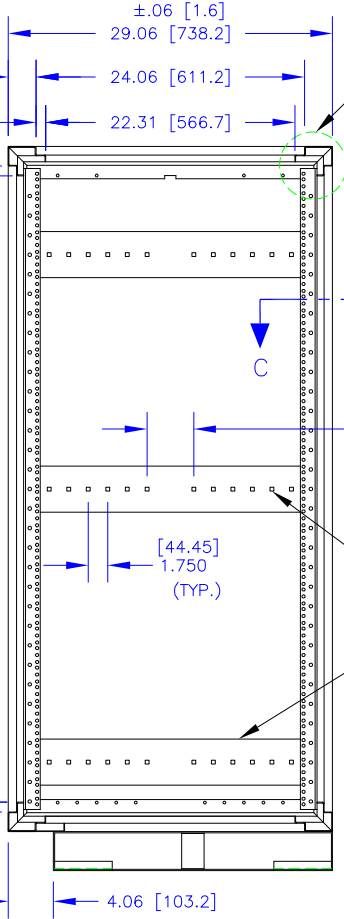
.281 [7.14] DIA. MTG. HOLES, (UNIVERSAL SPACING PER E.I.A. STD. EIA-310)



FRONT VIEW



DETAIL B

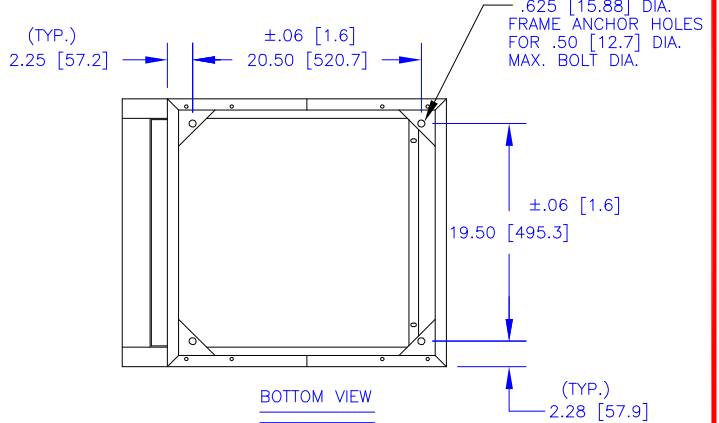


SECTION C-C

SECTION A-A

PART NUMBER	A	B	C
170-021-030	21.12 [536.6]	22.88 [581.0]	26.38 [669.9]
170-028-030	28.12 [714.4]	29.88 [758.8]	33.38 [847.7]
170-035-030	35.12 [892.2]	36.88 [936.6]	40.38 [1025.5]
170-042-030	42.12 [1070.0]	43.88 [1114.4]	47.38 [1203.3]
170-049-030	49.12 [1247.8]	50.88 [1292.2]	54.38 [1381.1]
170-056-030	56.12 [1425.6]	57.88 [1470.0]	61.38 [1558.9]
170-063-030	63.12 [1603.4]	64.88 [1647.8]	68.38 [1736.7]
170-070-030	70.12 [1781.2]	71.88 [1825.6]	75.38 [1914.5]
170-077-030	77.12 [1959.0]	78.88 [2003.4]	82.38 [2092.3]
170-084-030	84.12 [2136.8]	85.88 [2181.2]	89.38 [2270.1]

NOTE: SHOWN W/ OPTIONAL RI



BOTTOM VIEW

DIMENSIONS SHOWN INCHES [MILLIMETER]

TOLERANCES EX AS SHOWN

.XXX ±.015 [.40]
.XX ±.030 [.79]

FRAMES, VERTICAL RACK
19" [482.6] PANEL WIDTH
29-1/16" [738.2] DEEP

THE INVENTION, DESIGN, DETAIL AND TECHNICAL DATA SHOWN IN THIS REPRODUCTION OF ONE OF OUR PROPRIETARY ENGINEERING DRAWINGS IS THE PROPERTY OF EQUIPTO ELECTRONICS CORPORATION AND MUST BE USED SOLELY IN CONSIDERING THE PURCHASE FROM EQUIPTO ELECTRONICS CORPORATION OF THE EQUIPMENT OR MATERIAL DESCRIBED. ALL RIGHTS IN RESPECT THERETO ARE, THRU THIS DECLARATION, EXPRESSLY RESERVED, SPECIFICALLY PRECLUDING THE COPYING IN WHOLE OR PART WITHOUT OUR WRITTEN CONSENT.

EQUIPTO ENCLOSURE SYSTEMS