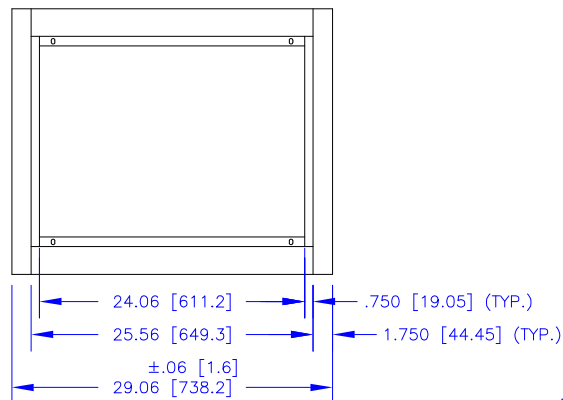
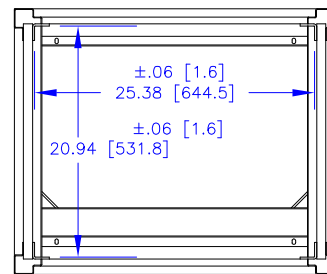


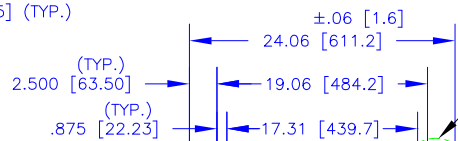
TOP VIEW



SECTION B-B

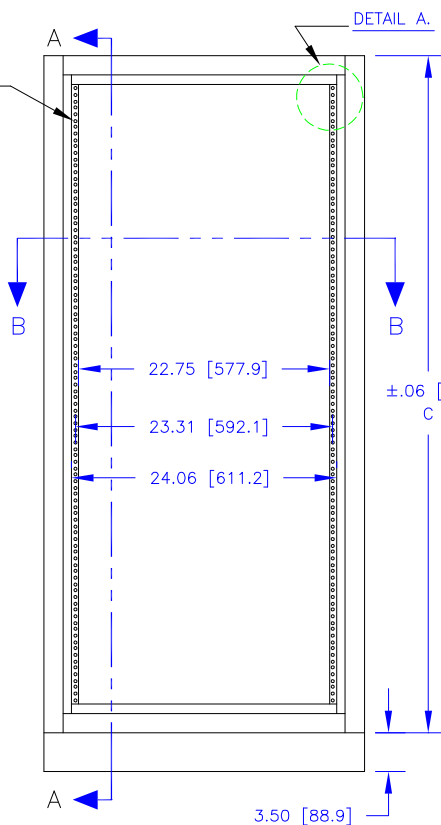


DETAIL B.

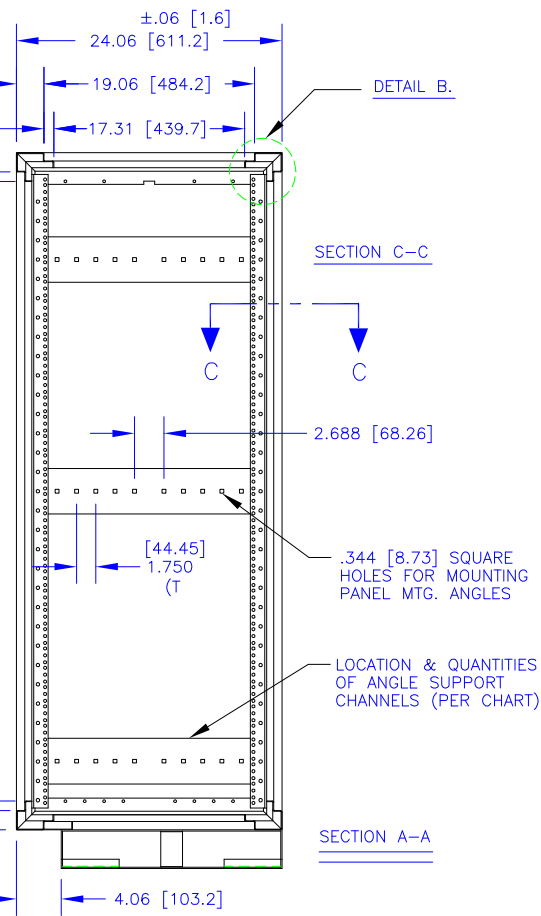


.281 [7.14] DIA. MTG. HOLES, (UNIVERSAL SPACING PER E.I.A. STD. EIA-310)

FRONT VIEW



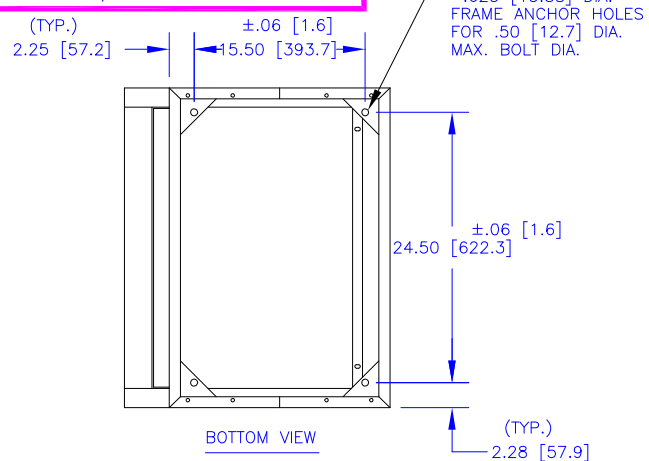
SECTION C-C



SECTION A-A

PART NUMBER	A	B	C
170-021-050	21.12 [536.6]	22.88 [581.0]	26.38 [669.9]
170-028-050	28.12 [714.4]	29.88 [758.8]	33.38 [847.7]
170-035-050	35.12 [892.2]	36.88 [936.6]	40.38 [1025.5]
170-042-050	42.12 [1070.0]	43.88 [1114.4]	47.38 [1203.3]
170-049-050	49.12 [1247.8]	50.88 [1292.2]	54.38 [1381.1]
170-056-050	56.12 [1425.6]	57.88 [1470.0]	61.38 [1558.9]
170-063-050	63.12 [1603.4]	64.88 [1647.8]	68.38 [1736.7]
170-070-050	70.12 [1781.2]	71.88 [1825.6]	75.38 [1914.5]
170-077-050	77.12 [1959.0]	78.88 [2003.4]	82.38 [2092.3]
170-084-050	84.12 [2136.8]	85.88 [2181.2]	89.38 [2270.1]

NOTE: SHOWN W/ OPTIONAL RECESSED BASE



DIMENSIONS SHOWN INCHES [MILLIMETER]

TOLERANCES EXCEPT AS SHOWN .XXX ±.015 [.40] .XX ±.030 [.79]

THE INVENTION, DESIGN, DETAIL AND TECHNICAL DATA SHOWN IN THIS REPRODUCTION OF ONE OF OUR PROPRIETARY ENGINEERING DRAWINGS IS THE PROPERTY OF EQUIPTO ELECTRONICS CORPORATION AND MUST BE USED SOLELY IN CONSIDERING THE PURCHASE FROM EQUIPTO ELECTRONICS CORPORATION OF THE EQUIPMENT OR MATERIAL DESCRIBED. ALL RIGHTS IN RESPECT THERETO ARE, THRU THIS DECLARATION, EXPRESSLY RESERVED, SPECIFICALLY PRECLUDING THE COPYING IN WHOLE OR PART WITHOUT OUR WRITTEN CONSENT.

EQUIPTO ENCLOSURE SYSTEMS

FRAMES, VERTICAL RACK  
24" [609.6] PANEL WIDTH  
24-1/16" [611.2] DEEP