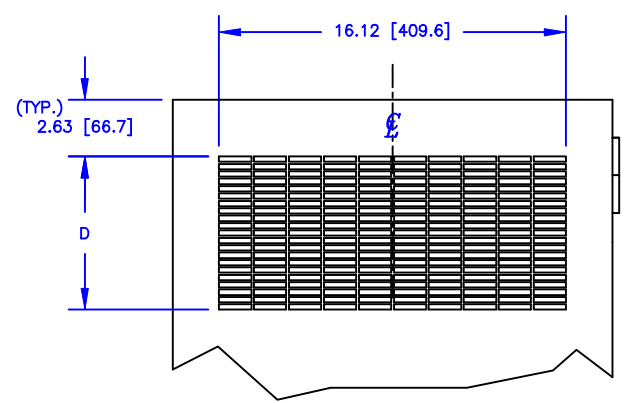
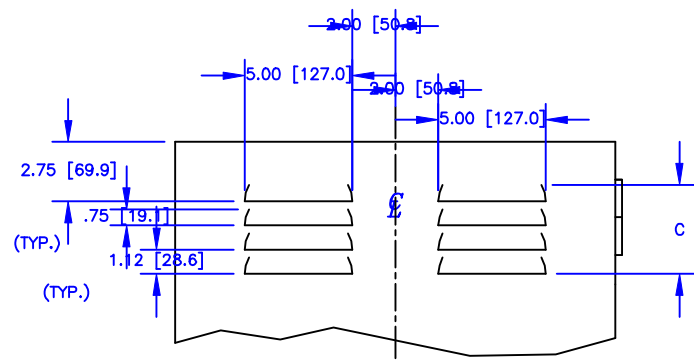


NOTES:

- 1: PLAIN DOORS ARE FULLY INVERTIBLE IN THE FIELD. HINGES, HANDLES & LATCH PARTS ARE ALL INVERTIBLE. DOORS MOUNT DIRECTLY TO P.M.A.'S & REQUIRE NO DRILLING.
- 2: ALL HARDWARE INCLUDING HINGES, HANDLE & LATCH BRACKET COME WITH THE DOOR.
- 3: TWO HINGES ARE USED ON DOORS WITH B DIM. 56.00 [1422.4] OR LESS.
- 4: THREE HINGES ARE USED ON DOORS WITH B DIM. 57.75 [1466.9] OR GREATER. TWO BUMPERS ARE USED ON DOORS WITH B DIM. 35.00 [889.0] OR LESS. FOUR BUMPERS ARE USED ON DOORS WITH B DIM. 36.75 [933.5] OR GREATER.
- 5: LOUVERS ARE FORMED EXTERNALLY. ALL LOUVERS ARE OPEN AT THE BOTTOM, THEREFORE LOUVERED DOORS ARE NOT INVERTIBLE.

INSIDE VIEW

SIDE VIEW
BUMPER



- LOUVERED TOP ONLY -12
- LOUVERED BOTTOM ONLY -13
- LOUVERED TOP & BOTTOM -14
- LOUVERED FULLY -11

- GRILL TOP ONLY -22
- GRILL BOTTOM ONLY -23
- GRILL TOP & BOTTOM -24
- GRILL & FILTER TOP ONLY -62
- GRILL & FILTER BOTTOM ONLY -63
- GRILL & FILTER TOP & BOTTOM -64

DIMENSIONS SHOWN INCHES [MILLIMETER] TOLERANCES EXCEPT AS SHOWN .XXX ±.015 [.40] .XX ±.030 [.79]

DOORS, FLUSH MOUNTED

THE INVENTION, DESIGN, DETAIL AND TECHNICAL DATA SHOWN IN THIS REPRODUCTION OF ONE OF OUR PROPRIETARY ENGINEERING DRAWINGS IS THE PROPERTY OF EQUIPTO ELECTRONICS CORPORATION AND MUST BE USED SOLELY IN CONSIDERING THE PURCHASE FROM EQUIPTO ELECTRONICS CORPORATION OF THE EQUIPMENT OR MATERIAL DESCRIBED. ALL RIGHTS IN RESPECT THEREOF ARE, THRU THIS DECLARATION, EXPRESSLY RESERVED, SPECIFICALLY PRECLUDING THE COPYING IN WHOLE OR PART WITHOUT OUR WRITTEN CONSENT.

EQUIPTO ENCLOSURE SYSTEMS