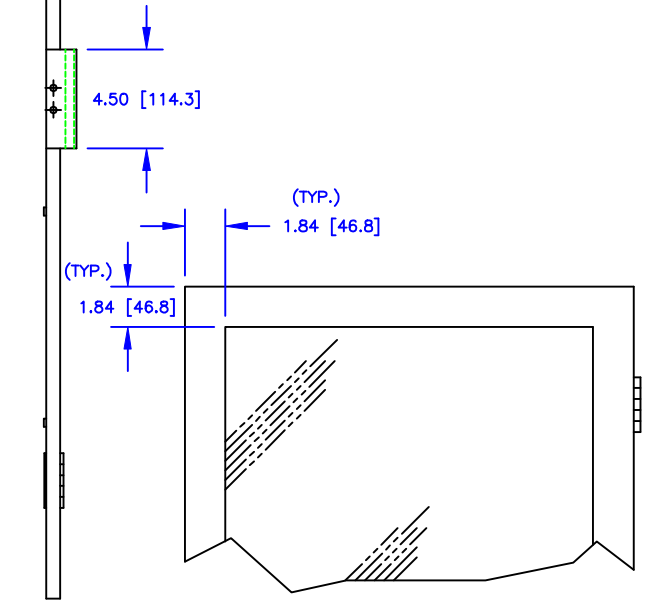


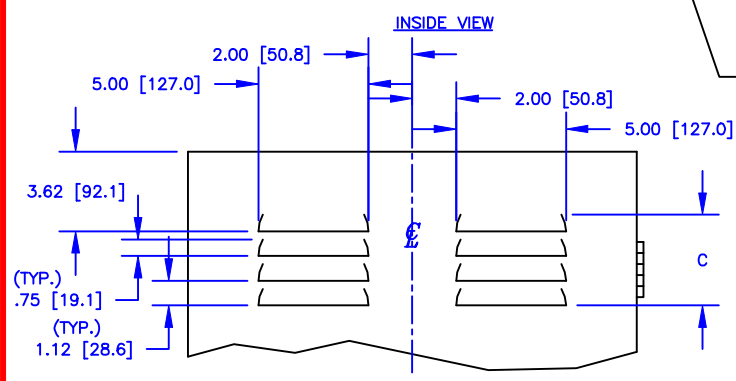
**NOTES:**

- 1: PLAIN DOORS ARE FULLY INVERTIBLE IN THE FIELD. HINGES, HANDLES & LATCH BARS ARE ALL INVERTIBLE AND ALL DRILLING OF FRAMES IS SUCH THAT IT ALLOWS INVERSION OF DOORS WITHOUT FURTHER DRILLING.
- 2: ALL HARDWARE INCLUDING HINGES, HANDLE & L.H. OR R.H. STRIKES WHICH ARE NOT INVERTIBLE COME WITH THE DOOR.
- 3: TWO HINGES ARE USED ON DOORS WITH B DIM. 56.00 [1422.4] OR LESS.
- 4: THREE HINGES ARE USED ON DOORS WITH B DIM. 57.75 [1466.9] OR GREATER. TWO BUMPERS ARE USED ON DOORS WITH B DIM. 35.00 [889.0] OR LESS. FOUR BUMPERS ARE USED ON DOORS WITH B DIM. 36.75 [933.5] OR GREATER.
- 5: LOUVERS ARE FORMED EXTERNALLY. ALL LOUVERS ARE OPEN AT THE BOTTOM, THEREFORE LOUVERED DOORS ARE NOT INVERTIBLE.

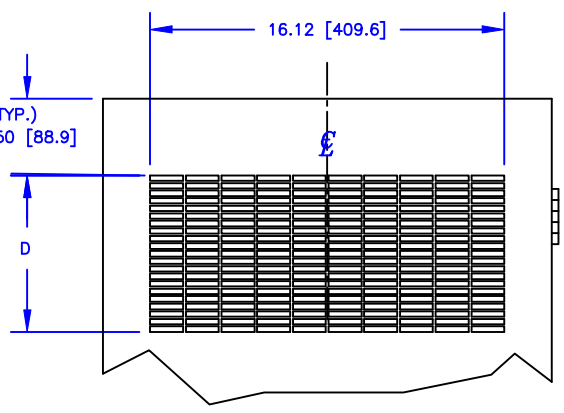


SIDE VIEW

ACRYLIC WINDOW -81



- LOUVERED TOP ONLY -12
- LOUVERED BOTTOM ONLY -13
- LOUVERED TOP & BOTTOM -14
- LOUVERED FULLY -11



- GRILL TOP ONLY -22
- GRILL BOTTOM ONLY -23
- GRILL TOP & BOTTOM -24
- GRILL & FILTER TOP ONLY -62
- GRILL & FILTER BOTTOM ONLY -63
- GRILL & FILTER TOP & BOTTOM -64

DIMENSIONS SHOWN INCHES [MILLIMETER]

TOLERANCES EXCEPT AS SHOWN .XXX ±.015 [.40] .XX ±.030 [.79]

# DOORS, FACE MOUNTED

THE INVENTION, DESIGN, DETAIL AND TECHNICAL DATA SHOWN IN THIS REPRODUCTION OF ONE OF OUR PROPRIETARY ENGINEERING DRAWINGS IS THE PROPERTY OF EQUIPTO ELECTRONICS CORPORATION AND MUST BE USED SOLELY IN CONSIDERING THE PURCHASE FROM EQUIPTO ELECTRONICS CORPORATION OF THE EQUIPMENT OR MATERIAL DESCRIBED. ALL RIGHTS IN RESPECT THERETO ARE, THRU THIS DECLARATION, EXPRESSLY RESERVED, SPECIFICALLY PRECLUDING THE COPYING IN WHOLE OR PART WITHOUT OUR WRITTEN CONSENT.

EQUIPTO ENCLOSURE SYSTEMS