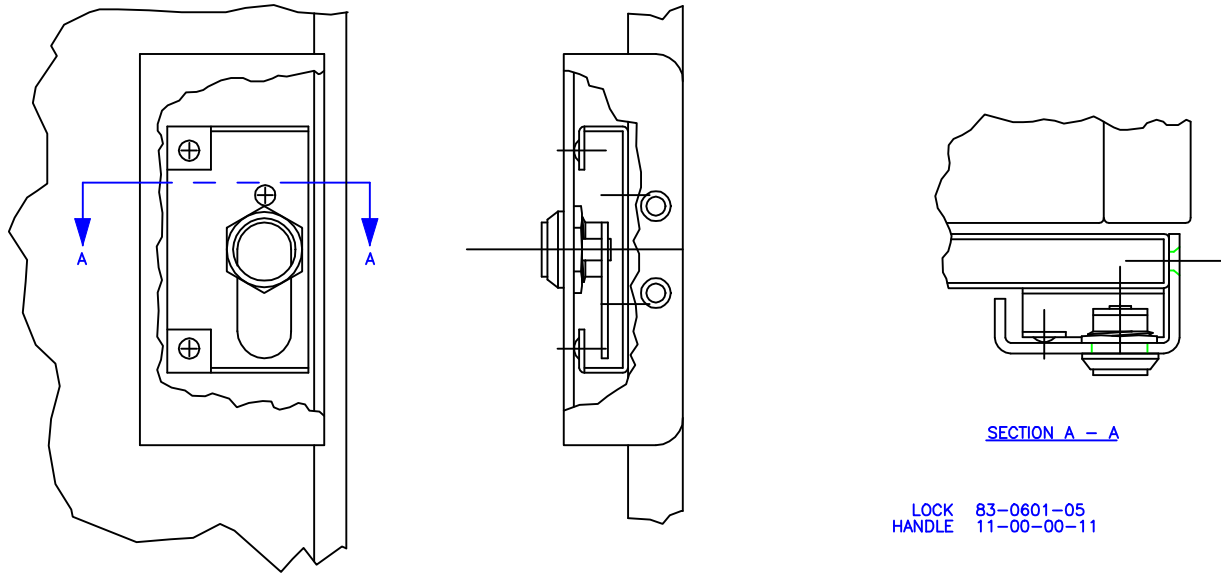
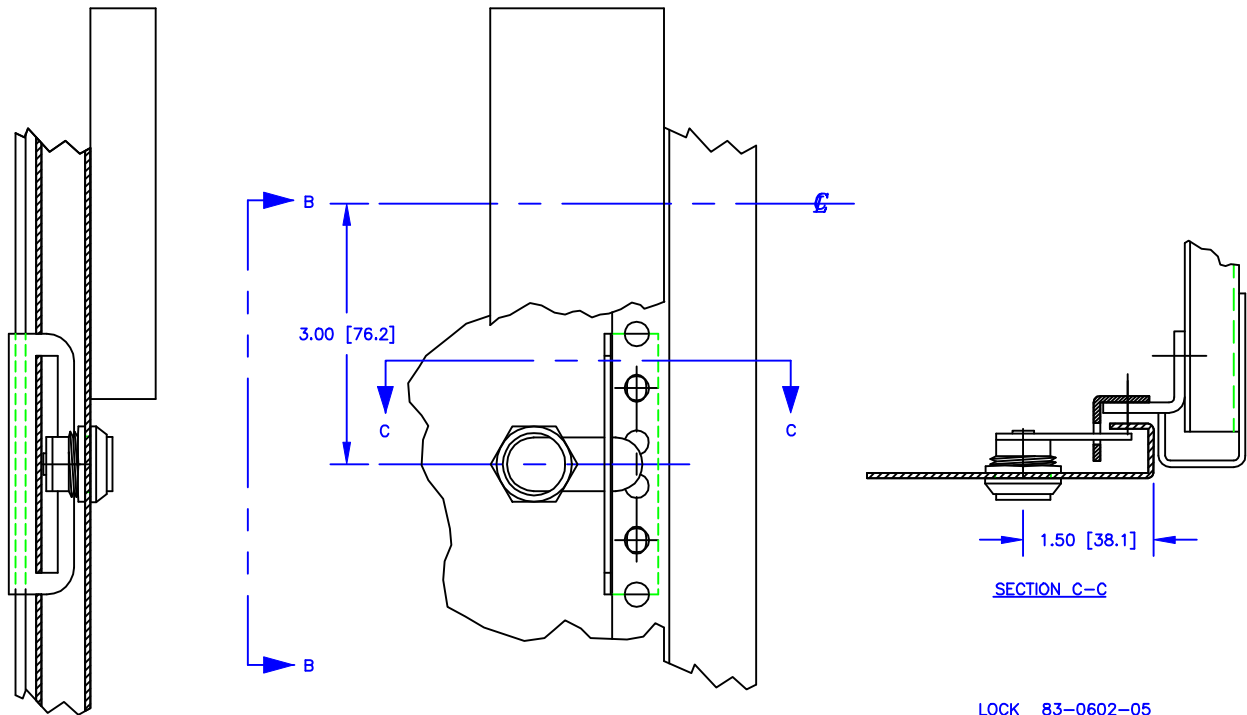


FACE MOUNTED DOOR



LOCK 83-0601-05
HANDLE 11-00-00-11

FLUSH DOOR



LOCK 83-0602-05
(INCLUDING STRIKE)

SECTION B - B

DIMENSIONS SHOWN
INCHES [MILLIMETER]

TOLERANCES EXCEPT .XXX ±.015 [.40]
AS SHOWN .XX ±.030 [.79]

THE INVENTION, DESIGN, DETAIL AND TECHNICAL DATA SHOWN IN THIS REPRODUCTION OF ONE OF OUR PROPRIETARY ENGINEERING DRAWINGS IS THE PROPERTY OF EQUIPTO ELECTRONICS CORPORATION AND MUST BE USED SOLELY IN CONNECTION WITH THE PURCHASE FROM EQUIPTO ELECTRONICS CORPORATION OF THE EQUIPMENT OR MATERIAL DESCRIBED. ALL RIGHTS IN RESPECT THERETO ARE, THRU THIS DECLARATION, EXPRESSLY RESERVED, SPECIFICALLY PRECLUDING THE COPYING IN WHOLE OR PART WITHOUT OUR WRITTEN CONSENT.

EQUIPTO ENCLOSURE SYSTEMS

DOOR LOCK DETAILS