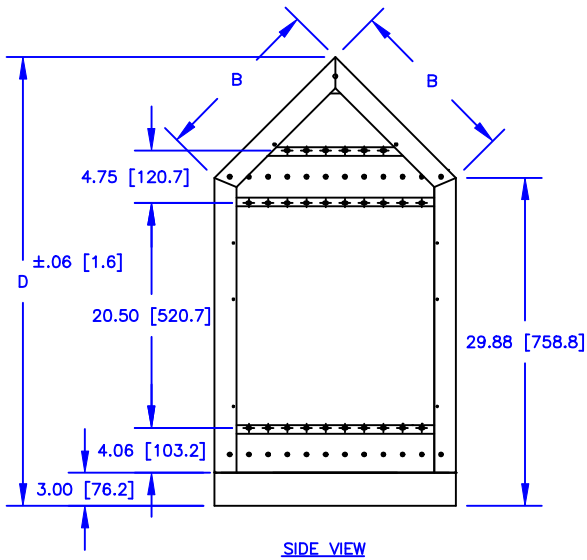
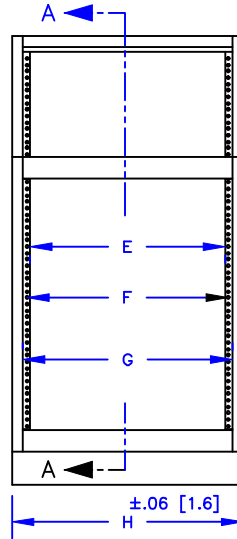


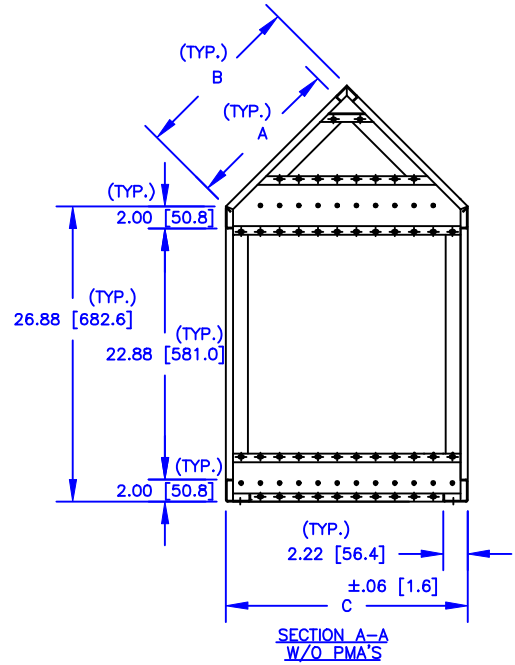
TOP VIEW



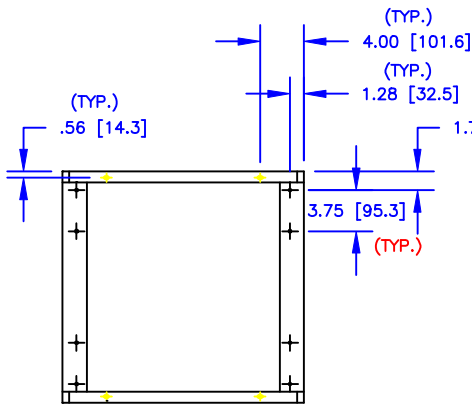
SIDE VIEW



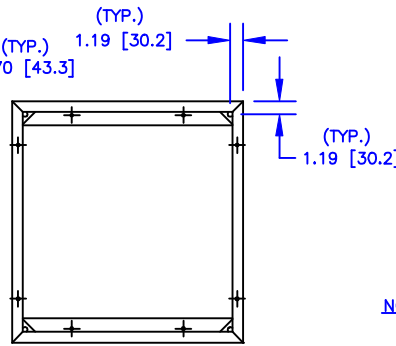
FRONT VIEW



SECTION A-A
W/O PMA'S



BOTTOM VIEW
W/O BASE



BOTTOM VIEW
W/ BASE

NOTE: SEE PAGES D-8 & D-9
FOR MORE DETAILS

PART NUMBER	A	B	C	D	E	F	G	H
42-1462-23	14.12 [358.8]	15.56 [395.3]	22.00 [558.8]	40.88 [1038.2]	17.75 [450.9]	18.31 [465.1]	19.06 [484.2]	21.06 [535.0]
42-1563-23	15.88 [403.2]	18.03 [458.0]	25.50 [647.7]	42.62 [1082.7]	17.75 [450.9]	18.31 [465.1]	19.06 [484.2]	21.06 [535.0]
42-1465-23	14.12 [358.8]	15.56 [395.3]	22.00 [558.8]	40.88 [1038.2]	22.75 [577.9]	23.31 [592.1]	24.06 [611.2]	26.06 [662.0]
42-1566-23	15.88 [403.2]	18.03 [458.0]	25.50 [647.7]	42.62 [1082.7]	22.75 [577.9]	23.31 [592.1]	24.06 [611.2]	26.06 [662.0]

DIMENSIONS SHOWN
INCHES [MILLIMETER]

TOLERANCES EXCEPT
AS SHOWN .XXX ±.015 [.40]
.XX ±.030 [.79]

45° DOUBLE SLOPE FRAME

THE INVENTION, DESIGN, DETAIL AND TECHNICAL DATA SHOWN IN THIS REPRODUCTION OF ONE OF OUR PROPRIETARY ENGINEERING DRAWINGS IS THE PROPERTY OF EQUIPTO ELECTRONICS CORPORATION AND MUST BE USED SOLELY IN CONSIDERING THE PURCHASE FROM EQUIPTO ELECTRONICS CORPORATION OF THE EQUIPMENT OR MATERIAL DESCRIBED. ALL RIGHTS IN RESPECT THERETO ARE, THRU THIS DECLARATION, EXPRESSLY RESERVED, SPECIFICALLY PRECLUDING THE COPYING IN WHOLE OR PART WITHOUT OUR WRITTEN CONSENT.

EQUIPTO ENCLOSURE SYSTEMS