

Introduction to Solid Systems

Solid System Means Solid Economy

The Solid System Enclosures product line offers several frame and console options. They are identical to the Challenger System of Modular Cabinets except the Solid System has integrated, non-removable sides while the Challenger System has an open frame construction with removable side panels. This offers the single-bay user all the advantages of a complete system with the cost saving factor of elimination of removable side panels. When removable side panels are not required, we feel the Solid System is the most practical and economical approach to standard design.

The Solid System offers a large range of shapes and sizes, but most importantly a wide selection of accessories are available to compliment your system and enhance functionality and flexibility. The Solid System Cabinet accessories include items such as Cabinet Trucks, Equipment Shelves, Drawers, Work/Writing Shelves, Turrets, Lift Bolts and Chassis Supports. Please refer to the Challenger section of the catalog for the complete selection of accessories.

For more information on these products, please see the following pages. If you have any questions, please call (800) 204-7225.



Vertical Rack Frame



45° Double Slope Console



Introduction to Solid Systems



15° Sloped Front Console



Bench Top Rack

Frame	Dimensions	Frames and Consoles Features and Options
Vertical Racks	Widths: 19" and 24" Depths: 18 1/2", 22", 25 1/2", 30 3/4", 36"	<ul style="list-style-type: none"> ▶ Frames use 14-gauge and 16-gauge steel with all-welded construction ▶ Moveable 11-gauge Vertical Mounting Rails ▶ Finished in semi-gloss enamel
15° Sloped Front Consoles	Widths: 19" and 24" Depths: 22", 25 1/2", 30 3/4"	<ul style="list-style-type: none"> ▶ Frames use 14-gauge and 16-gauge steel with all-welded construction ▶ Front panel slope is 15° from the vertical ▶ Vertical Mounting Rails in sloped opening are removable, but not adjustable. ▶ Available in 3 slope panel heights
30° Double Slope Console	Widths: 19" and 24" Depths: 22"	<ul style="list-style-type: none"> ▶ Frames use 14-gauge and 16-gauge steel with all-welded construction ▶ Front panel slope is 30° from the vertical ▶ Vertical Mounting Rails in sloped openings are removable, but not adjustable ▶ Available in 2 slope panel heights
45° Double Slope Console	Widths: 19" and 24" Depths: 22", 25 1/2"	<ul style="list-style-type: none"> ▶ Frames use 14-gauge and 16-gauge steel with all-welded construction ▶ Slope of Front and Rear Panels is 45° from the vertical ▶ Available in 2 slope panel heights
Bench Top Racks	Widths: 19" and 24" Depths: 18 1/2", 22", 25 1/2"	<ul style="list-style-type: none"> ▶ Frames use 14-gauge and 16-gauge steel with all-welded construction ▶ 11-gauge steel Vertical Mounting Rails ▶ Adjustable Vertical Mounting Rails in 1 3/4" increments ▶ Available Plain, Louvered, or Perforated

Solid System Modular Electronic Cabinets



*15° Sloped Front Console
with Shelf*



Solid System Design Features



*30° Double Slope Console
with Shelf*

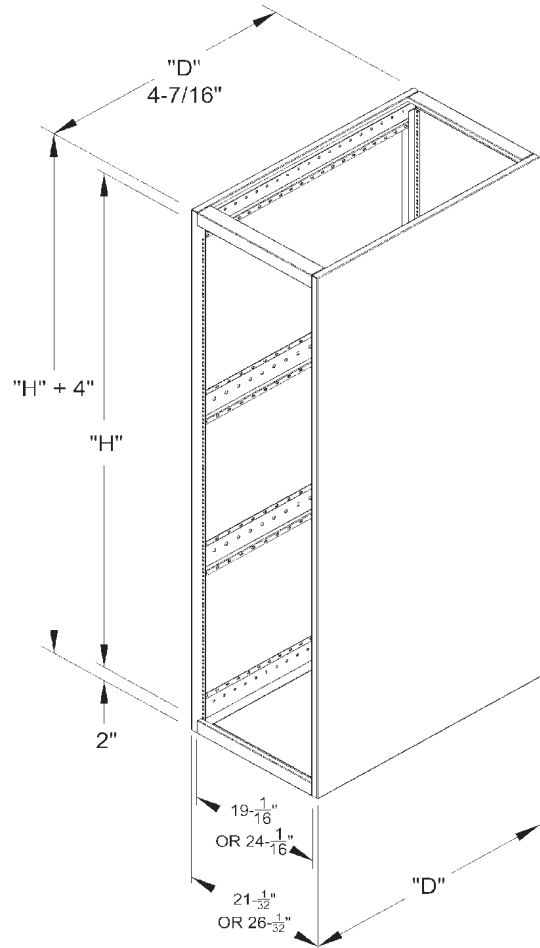


30° Double Slope Console



Vertical Rack Frames

The Solid System Vertical Rack Frames are modular and offer a functional design with versatility and a variety of size selections. The doors can be mounted on the front or rear of the cabinet frame and are latched with metal to metal catches for better grounding to comply with electrical codes. The loose pin hinges allow for easy door removal when required. All panels and doors are available plain, louvered or with grills. Five frame depths including; 18 1/2", 22", 25 1/2", 30 3/4" and 36" are available. The Vertical Mounting Rails are also adjustable.



Product Features

- ▶ All-welded construction
- ▶ Sides formed with 16-gauge steel
- ▶ 14-gauge frame transverse members and base
- ▶ Moveable 11-gauge Vertical Mounting Rails
- ▶ Available in 19" and 24" Panel Widths and 9 Panel Heights
- ▶ Finished in semi-gloss enamel and available in many colors (see standard color chart)

PANEL AND DOOR SUFFIX													
Type of Door or Panel	Plain	Louvered				Grilled						Perforated	Window Door
						With Filter			Without Filter				
		Top	Bottom	Top & Bottom	Fully	Top	Bottom	Top & Bottom	Top	Bottom	Top & Bottom		
Side Panel/LH	11	22	23	24	25	26	27	18					
Side Panel/RH	11	32	33	34	35	36	37	18					
Flush & Face Mtd. Door	46	12	13	14	11	62	63	64	22	23	24		
Front & Rear Panels	46	12	13	14	11	62	63	64	22	23	24	31	
Top Panel	46	11				65			25			31	
Bottom Panel	01						06			02			
Face Mtd Bronz Window													81

Note: Vertical Rack frame heights are available in any increment of 1 3/4".

Vertical Rack Frames - 19" Wide

VERTICAL RACK FRAMES 19" Wide Panel Space								
	Part No. of Frame	Universal Side Panels (1)		*Flush Mounted Doors		*Face Mounted Doors		Front or Rear Full Length Panel
		Left	Right	Left	Right	Left	Right	
		Swing	Swing	Swing	Swing	Swing	Swing	
18 1/2" Overall Depth		Top Panel: 2T-1412-__			Bottom Panel: 26-1918-__			
22 7/8"	40-2212-04	30-2218-__	30-2218-__	12-2211-__	12-2215-__	11-2211-__	11-2215-__	20-2212-__
29 7/8"	40-2912-04	30-2918-__	30-2918-__	12-2911-__	12-2915-__	11-2911-__	11-2915-__	20-2912-__
35 1/8"	40-3512-04	30-3518-__	30-3518-__	12-3511-__	12-3515-__	11-3511-__	11-3515-__	20-3512-__
40 3/8"	40-4012-04	30-4018-__	30-4018-__	12-4011-__	12-4015-__	11-4011-__	11-4015-__	20-4012-__
43 7/8"	40-4312-04	30-4318-__	30-4318-__	12-4311-__	12-4315-__	11-4311-__	11-4315-__	20-4312-__
52 5/8"	40-5212-04	30-5218-__	30-5218-__	12-5211-__	12-5215-__	11-5211-__	11-5215-__	20-5212-__
61 3/8"	40-6112-04	30-6118-__	30-6118-__	12-6111-__	12-6115-__	11-6111-__	11-6115-__	20-6112-__
70 1/8"	40-7012-04	30-7018-__	30-7018-__	12-7011-__	12-7015-__	11-7011-__	11-7015-__	20-7012-__
78 7/8"	40-7812-04	30-7818-__	30-7818-__	12-7811-__	12-7815-__	11-7811-__	11-7815-__	20-7812-__
22" Overall Depth		Top Panel: 2T-1712-__			Bottom Panel: 26-1922-__			
22 7/8"	40-2222-04	30-2228-__	30-2228-__	12-2211-__	12-2215-__	11-2211-__	11-2215-__	20-2212-__
29 7/8"	40-2922-04	30-2928-__	30-2928-__	12-2911-__	12-2915-__	11-2911-__	11-2915-__	20-2912-__
35 1/8"	40-3522-04	30-3528-__	30-3528-__	12-3511-__	12-3515-__	11-3511-__	11-3515-__	20-3512-__
40 3/8"	40-4022-04	30-4028-__	30-4028-__	12-4011-__	12-4015-__	11-4011-__	11-4015-__	20-4012-__
43 7/8"	40-4322-04	30-4328-__	30-4328-__	12-4311-__	12-4315-__	11-4311-__	11-4315-__	20-4312-__
52 5/8"	40-5222-04	30-5228-__	30-5228-__	12-5211-__	12-5215-__	11-5211-__	11-5215-__	20-5212-__
61 3/8"	40-6122-04	30-6128-__	30-6128-__	12-6111-__	12-6115-__	11-6111-__	11-6115-__	20-6112-__
70 1/8"	40-7022-04	30-7028-__	30-7028-__	12-7011-__	12-7015-__	11-7011-__	11-7015-__	20-7012-__
78 7/8"	40-7822-04	30-7828-__	30-7828-__	12-7811-__	12-7815-__	11-7811-__	11-7815-__	20-7812-__

FRAME OPTIONS

By inserting the following Add-On after the first 3 digits of the frame part number you can order multiple frame accessories with just a one digit part number change. See chart below for choices.

i.e. - 40H-7022-03 Frame VR 19 x 70 x 22 w/tapped vertical mtg rails

Add-On	Frame accessories included when Add-On is included in frame P/N
A	w/o punched vertical mtg rails and lift blocks**
D	w/o vertical mtg rails
E	w/o vertical mtg rails and w/ lift blocks**
H	w/tapped vertical mtg rails
J	w/tapped vertical mtg rails and lift blocks**

** Lift bolts must be ordered separately. See page C45

NOTES

If ordering front or rear panels or flush doors that will be mounted to tapped rails, then please add **T** to the panel P/N Example: T20-7012-46

*If you require a Lock for your door, specify 'with lock' in the description and add suffix **-LK** to the door P/N. Example: 11-7011-46-LK

See chart on page D4 for Door and Panel suffix choices.



Vertical Rack Frames - 19" Wide

	Part No. of Frame	Universal Side Panels (1)		*Flush Mounted Doors		*Face Mounted Doors		Front or Rear Full Length Panel	
		Left	Right	Left	Right	Left	Right		
		Swing	Swing	Swing	Swing	Swing	Swing		
25 1/2" Overall Depth		Top Panel: 2T-2112-__				Bottom Panel: 26-1925-__			
22 7/8"	40-2232-04	30-2238-__	30-2238-__	12-2211-__	12-2215-__	11-2211-__	11-2215-__	20-2212-__	
29 7/8"	40-2932-04	30-2938-__	30-2938-__	12-2911-__	12-2915-__	11-2911-__	11-2915-__	20-2912-__	
35 1/8"	40-3532-04	30-3538-__	30-3538-__	12-3511-__	12-3515-__	11-3511-__	11-3515-__	20-3512-__	
40 3/8"	40-4032-04	30-4038-__	30-4038-__	12-4011-__	12-4015-__	11-4011-__	11-4015-__	20-4012-__	
43 7/8"	40-4332-04	30-4338-__	30-4338-__	12-4311-__	12-4315-__	11-4311-__	11-4315-__	20-4312-__	
52 5/8"	40-5232-04	30-5238-__	30-5238-__	12-5211-__	12-5215-__	11-5211-__	11-5215-__	20-5212-__	
61 3/8"	40-6132-04	30-6138-__	30-6138-__	12-6111-__	12-6115-__	11-6111-__	11-6115-__	20-6112-__	
70 1/8"	40-7032-04	30-7038-__	30-7038-__	12-7011-__	12-7015-__	11-7011-__	11-7015-__	20-7012-__	
78 7/8"	40-7832-04	30-7838-__	30-7838-__	12-7811-__	12-7815-__	11-7811-__	11-7815-__	20-7812-__	
30 3/4" Overall Depth		Top Panel: 2T-2612-__				Bottom Panel: 26-1930-__			
22 7/8"	40-2272-04	30-2248-__	30-2248-__	12-2211-__	12-2215-__	11-2211-__	11-2215-__	20-2212-__	
29 7/8"	40-2972-04	30-2948-__	30-2948-__	12-2911-__	12-2915-__	11-2911-__	11-2915-__	20-2912-__	
35 1/8"	40-3572-04	30-3548-__	30-3548-__	12-3511-__	12-3515-__	11-3511-__	11-3515-__	20-3512-__	
40 3/8"	40-4072-04	30-4048-__	30-4048-__	12-4011-__	12-4015-__	11-4011-__	11-4015-__	20-4012-__	
43 7/8"	40-4372-04	30-4348-__	30-4348-__	12-4311-__	12-4315-__	11-4311-__	11-4315-__	20-4312-__	
52 5/8"	40-5272-04	30-5248-__	30-5248-__	12-5211-__	12-5215-__	11-5211-__	11-5215-__	20-5212-__	
61 3/8"	40-6172-04	30-6148-__	30-6148-__	12-6111-__	12-6115-__	11-6111-__	11-6115-__	20-6112-__	
70 1/8"	40-7072-04	30-7048-__	30-7048-__	12-7011-__	12-7015-__	11-7011-__	11-7015-__	20-7012-__	
78 7/8"	40-7872-04	30-7848-__	30-7848-__	12-7811-__	12-7815-__	11-7811-__	11-7815-__	20-7812-__	
36" Overall Depth		Top Panel: 2T-3112-__				Bottom Panel: 26-1936-__			
22 7/8"	40-2292-04	30-2258-__	30-2258-__	12-2211-__	12-2215-__	11-2211-__	11-2215-__	20-2212-__	
29 7/8"	40-2992-04	30-2958-__	30-2958-__	12-2911-__	12-2915-__	11-2911-__	11-2915-__	20-2912-__	
35 1/8"	40-3592-04	30-3558-__	30-3558-__	12-3511-__	12-3515-__	11-3511-__	11-3515-__	20-3512-__	
40 3/8"	40-4092-04	30-4058-__	30-4058-__	12-4011-__	12-4015-__	11-4011-__	11-4015-__	20-4012-__	
43 7/8"	40-4392-04	30-4358-__	30-4358-__	12-4311-__	12-4315-__	11-4311-__	11-4315-__	20-4312-__	
52 5/8"	40-5292-04	30-5258-__	30-5258-__	12-5211-__	12-5215-__	11-5211-__	11-5215-__	20-5212-__	
61 3/8"	40-6192-04	30-6158-__	30-6158-__	12-6111-__	12-6115-__	11-6111-__	11-6115-__	20-6112-__	
70 1/8"	40-7092-04	30-7058-__	30-7058-__	12-7011-__	12-7015-__	11-7011-__	11-7015-__	20-7012-__	
78 7/8"	40-7892-04	30-7858-__	30-7858-__	12-7811-__	12-7815-__	11-7811-__	11-7815-__	20-7812-__	

See Frame Options Chart & 'Notes' at the bottom of page D7

Vertical Rack Frames - 24" Wide

VERTICAL RACK FRAMES 24" Wide Panel Space								
	Part No. of Frame	Universal Side Panels (1)		*Flush Mounted Doors		*Face Mounted Doors		Front or Rear Full Length Panel
		Left	Right	Left	Right	Left	Right	
		Swing	Swing	Swing	Swing	Swing	Swing	
18 1/2" Overall Depth		Top Panel: 2T-1422-__				Bottom Panel: 26-2418-__		
22 7/8"	40-2242-04	30-2218-__	30-2218-__	12-2221-__	12-2225-__	11-2221-__	11-2225-__	20-2222-__
29 7/8"	40-2942-04	30-2918-__	30-2918-__	12-2921-__	12-2925-__	11-2921-__	11-2925-__	20-2922-__
35 1/8"	40-3542-04	30-3518-__	30-3518-__	12-3521-__	12-3525-__	11-3521-__	11-3525-__	20-3522-__
40 3/8"	40-4042-04	30-4018-__	30-4018-__	12-4021-__	12-4025-__	11-4021-__	11-4025-__	20-4022-__
43 7/8"	40-4342-04	30-4318-__	30-4318-__	12-4321-__	12-4325-__	11-4321-__	11-4325-__	20-4322-__
52 5/8"	40-5242-04	30-5218-__	30-5218-__	12-5221-__	12-5225-__	11-5221-__	11-5225-__	20-5222-__
61 3/8"	40-6142-04	30-6118-__	30-6118-__	12-6121-__	12-6125-__	11-6121-__	11-6125-__	20-6122-__
70 1/8"	40-7042-04	30-7018-__	30-7018-__	12-7021-__	12-7025-__	11-7021-__	11-7025-__	20-7022-__
78 7/8"	40-7842-04	30-7818-__	30-7818-__	12-7821-__	12-7825-__	11-7821-__	11-7825-__	20-7822-__
22" Overall Depth		Top Panel: 2T-1722-__				Bottom Panel: 26-2422-__		
22 7/8"	40-2252-04	30-2228-__	30-2228-__	12-2221-__	12-2225-__	11-2221-__	11-2225-__	20-2222-__
29 7/8"	40-2952-04	30-2928-__	30-2928-__	12-2921-__	12-2925-__	11-2921-__	11-2925-__	20-2922-__
35 1/8"	40-3552-04	30-3528-__	30-3528-__	12-3521-__	12-3525-__	11-3521-__	11-3525-__	20-3522-__
40 3/8"	40-4052-04	30-4028-__	30-4028-__	12-4021-__	12-4025-__	11-4021-__	11-4025-__	20-4022-__
43 7/8"	40-4352-04	30-4328-__	30-4328-__	12-4321-__	12-4325-__	11-4321-__	11-4325-__	20-4322-__
52 5/8"	40-5252-04	30-5228-__	30-5228-__	12-5221-__	12-5225-__	11-5221-__	11-5225-__	20-5222-__
61 3/8"	40-6152-04	30-6128-__	30-6128-__	12-6121-__	12-6125-__	11-6121-__	11-6125-__	20-6122-__
70 1/8"	40-7052-04	30-7028-__	30-7028-__	12-7021-__	12-7025-__	11-7021-__	11-7025-__	20-7022-__
78 7/8"	40-7852-04	30-7828-__	30-7828-__	12-7821-__	12-7825-__	11-7821-__	11-7825-__	20-7822-__

FRAME OPTIONS

By inserting the following Add-On after the first 3 digits of the frame part number you can order multiple frame accessories with just a one digit part number change. See chart below for choices.

i.e. - 40H-7022-03 Frame VR 19 x 70 x 22 w/tapped vertical mtg rails

Add-On	Frame accessories included when Add-On is included in frame P/N
A	w/o punched vertical mtg rails and lift blocks**
D	w/o vertical mtg rails
E	w/o vertical mtg rails and w/ lift blocks**
H	w/tapped vertical mtg rails
J	w/tapped vertical mtg rails and lift blocks**

** Lift bolts must be ordered separately. See page C45

NOTES

If ordering front or rear panels or flush doors that will be mounted to tapped rails, then please add **T** to the panel P/N Example: T20-7012-46

*If you require a Lock for your door, specify 'with lock' in the description and add suffix **-LK** to the door P/N. Example: 11-7011-46-LK

See chart on page D4 for Door and Panel suffix choices.



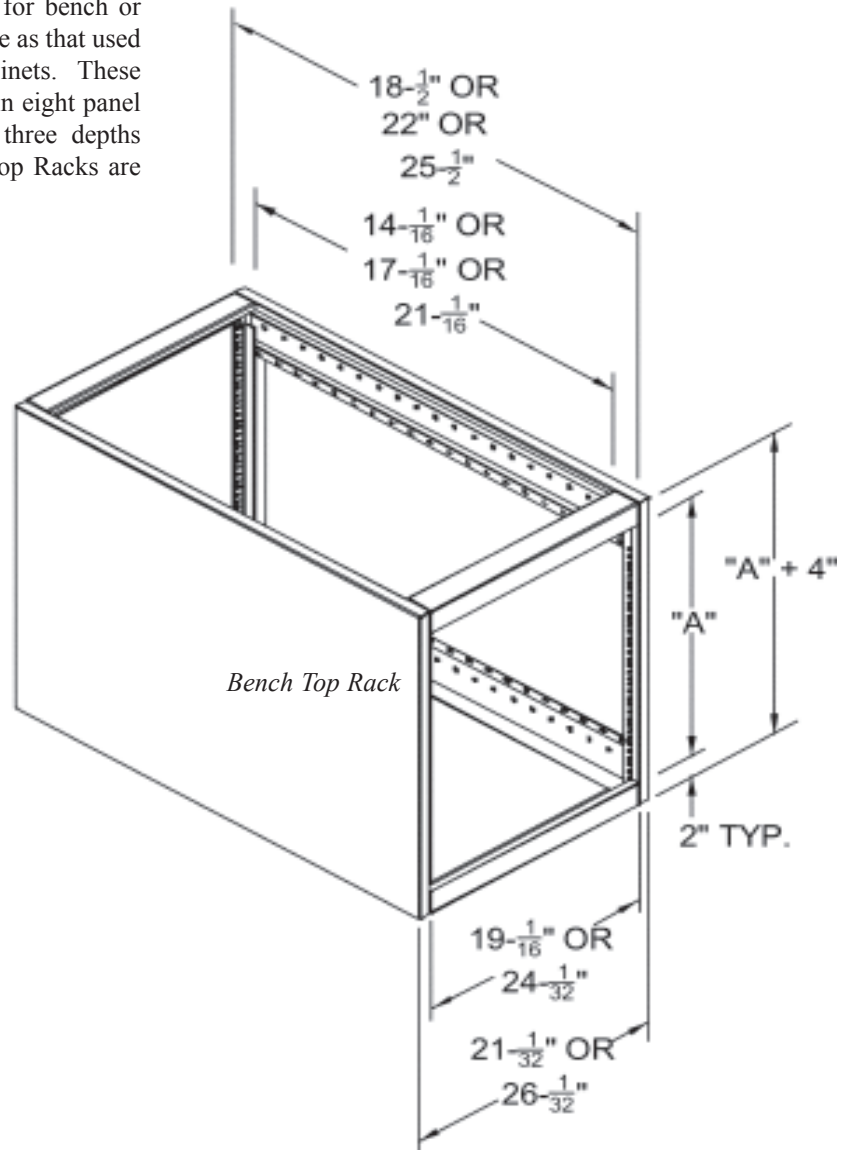
	Part No. of Frame	Universal Side Panels (1)		*Flush Mounted Doors		*Flush Mounted Doors		Front or Rear Full Length Panel	
		Left	Right	Left	Right	Left	Right		
		Swing	Swing	Swing	Swing	Swing	Swing		
25 1/2" Overall Depth		Top Panel: 2T-2122-_____				Bottom Panel: 26-2425-_____			
22 7/8"	40-2262-04	30-2238-__	30-2238-__	12-2221-__	12-2225-__	11-2221-__	11-2225-__	20-2222-__	
29 7/8"	40-2962-04	30-2938-__	30-2938-__	12-2921-__	12-2925-__	11-2921-__	11-2925-__	20-2922-__	
35 1/8"	40-3562-04	30-3538-__	30-3538-__	12-3521-__	12-3525-__	11-3521-__	11-3525-__	20-3522-__	
40 3/8"	40-4062-04	30-4038-__	30-4038-__	12-4021-__	12-4025-__	11-4021-__	11-4025-__	20-4022-__	
43 7/8"	40-4362-04	30-4338-__	30-4338-__	12-4321-__	12-4325-__	11-4321-__	11-4325-__	20-4322-__	
52 5/8"	40-5262-04	30-5238-__	30-5238-__	12-5221-__	12-5225-__	11-5221-__	11-5225-__	20-5222-__	
61 3/8"	40-6162-04	30-6138-__	30-6138-__	12-6121-__	12-6125-__	11-6121-__	11-6125-__	20-6122-__	
70 1/8"	40-7062-04	30-7038-__	30-7038-__	12-7021-__	12-7025-__	11-7021-__	11-7025-__	20-7022-__	
78 7/8"	40-7862-04	30-7838-__	30-7838-__	12-7821-__	12-7825-__	11-7821-__	11-7825-__	20-7822-__	
30 3/4" Overall Depth		Top Panel: 2T-2622-_____				Bottom Panel: 26-2430-_____			
22 7/8"	40-2282-04	30-2248-__	30-2248-__	12-2221-__	12-2225-__	11-2221-__	11-2225-__	20-2222-__	
29 7/8"	40-2982-04	30-2948-__	30-2948-__	12-2921-__	12-2925-__	11-2921-__	11-2925-__	20-2922-__	
35 1/8"	40-3582-04	30-3548-__	30-3548-__	12-3521-__	12-3525-__	11-3521-__	11-3525-__	20-3522-__	
40 3/8"	40-4082-04	30-4048-__	30-4048-__	12-4021-__	12-4025-__	11-4021-__	11-4025-__	20-4022-__	
43 7/8"	40-4382-04	30-4348-__	30-4348-__	12-4321-__	12-4325-__	11-4321-__	11-4325-__	20-4322-__	
52 5/8"	40-5282-04	30-5248-__	30-5248-__	12-5221-__	12-5225-__	11-5221-__	11-5225-__	20-5222-__	
61 3/8"	40-6182-04	30-6148-__	30-6148-__	12-6121-__	12-6125-__	11-6121-__	11-6125-__	20-6122-__	
70 1/8"	40-7082-04	30-7048-__	30-7048-__	12-7021-__	12-7025-__	11-7021-__	11-7025-__	20-7022-__	
78 7/8"	40-7882-04	30-7848-__	30-7848-__	12-7821-__	12-7825-__	11-7821-__	11-7825-__	20-7822-__	
36" Overall Depth		Top Panel: 2T-3122-_____				Bottom Panel: 26-2436-_____			
22 7/8"	40-2202-04	30-2258-__	30-2258-__	12-2221-__	12-2225-__	11-2221-__	11-2225-__	20-2222-__	
29 7/8"	40-2902-04	30-2958-__	30-2958-__	12-2921-__	12-2925-__	11-2921-__	11-2925-__	20-2922-__	
35 1/8"	40-3502-04	30-3558-__	30-3558-__	12-3521-__	12-3525-__	11-3521-__	11-3525-__	20-3522-__	
40 3/8"	40-4002-04	30-4058-__	30-4058-__	12-4021-__	12-4025-__	11-4021-__	11-4025-__	20-4022-__	
43 7/8"	40-4302-04	30-4358-__	30-4358-__	12-4321-__	12-4325-__	11-4321-__	11-4325-__	20-4322-__	
52 5/8"	40-5202-04	30-5258-__	30-5258-__	12-5221-__	12-5225-__	11-5221-__	11-5225-__	20-5222-__	
61 3/8"	40-6102-04	30-6158-__	30-6158-__	12-6121-__	12-6125-__	11-6121-__	11-6125-__	20-6122-__	
70 1/8"	40-7002-04	30-7058-__	30-7058-__	12-7021-__	12-7025-__	11-7021-__	11-7025-__	20-7022-__	
78 7/8"	40-7802-04	30-7858-__	30-7858-__	12-7821-__	12-7825-__	11-7821-__	11-7825-__	20-7822-__	

See Frame Options Chart & 'Notes' at the bottom of page D7

Bench Top Racks

The Solid System Bench Top Racks are designed for bench or desk top use. They have the identical frame structure as that used in the Vertical Racks as well as Sloped Front Cabinets. These cabinets are of a modular design and are available in eight panel heights, two widths including 19" and 24" and three depths including, 18 1/2", 22" and 25 1/2". All Bench Top Racks are supplied with rubber feet.

PANEL AND DOOR SUFFIX*	
Type of Door or Panel	Suffix Number
Plain Panel	46
Louvered Panel	11
Perforated Panel	31
Plain Door	46
Fully Louvered Door	11
Louvered-Top Only	12
Louvered-Bottom Only	13
Louvered-Top & Bottom	14



Product Features

- ▶ Frame onstructed of 14-gauge and 16-gauge steel
- ▶ 11-gauge cold rolled steel Vertical Mounting Rails
- ▶ Adjustable Vertical Mounting Rails in 13/4" increments
- ▶ Available in 19" and 24" Panel Widths and three depths
- ▶ Available Plain, Louvered, or Perforated



Bench Top Racks

BENCH TOP RACKS For 19" Wide Panels				
Size of Front and Rear Panel Openings HEIGHT "A"	Part No. of Frame (1)	Flush Mounted Doors (2)		Front & Rear Full Length Panel
		Left Hinged	Right Hinged	
18 1/2" Depth Top or Bottom Panels: 2T-1412-__				
8 13/16"	43-0810-04	Not Avail.	Not Avail.	20-0812-_*
10 9/16"	43-1010-04	Not Avail.	Not Avail.	20-1012-__
12 5/16"	43-1210-04	Not Avail.	Not Avail.	20-1212-__
14 1/16"	43-1410-04	12-1411-_*	12-1415-_*	20-1412-__
15 13/16"	43-1510-04	12-1511-__	12-1515-__	20-1512-__
17 9/16"	43-1710-04	12-1711-__	12-1715-__	20-1712-__
19 5/16"	43-1910-04	12-1911-__	12-1915-__	20-1912-__
21 1/16"	43-2110-04	12-2111-__	12-2115-__	20-2112-__
22" Depth Top or Bottom Panels: 2T-1712-__				
8 13/16"	43-0820-04	Not Avail.	Not Avail.	20-0812-_*
10 9/16"	43-1020-04	Not Avail.	Not Avail.	20-1012-__
12 5/16"	43-1220-04	Not Avail.	Not Avail.	20-1212-__
14 1/16"	43-1420-04	12-1411-_*	12-1415-_*	20-1412-__
15 13/16"	43-1520-04	12-1511-__	12-1515-__	20-1512-__
17 9/16"	43-1720-04	12-1711-__	12-1715-__	20-1712-__
19 5/16"	43-1920-04	12-1911-__	12-1915-__	20-1912-__
21 1/16"	43-2120-04	12-2111-__	12-2115-__	20-2112-__
25 1/2" Depth Top or Bottom Panels: 2T-2112-__				
8 13/16"	43-0830-04	Not Avail.	Not Avail.	20-0812-_*
10 9/16"	43-1030-04	Not Avail.	Not Avail.	20-1012-__
12 5/16"	43-1230-04	Not Avail.	Not Avail.	20-1212-__
14 1/16"	43-1430-04	12-1411-_*	12-1415-_*	20-1412-__
15 13/16"	43-1530-04	12-1511-__	12-1515-__	20-1512-__
17 9/16"	43-1730-04	12-1711-__	12-1715-__	20-1712-__
19 5/16"	43-1930-04	12-1911-__	12-1915-__	20-1912-__
21 1/16"	43-2130-04	12-2111-__	12-2115-__	20-2112-__

BENCH TOP RACKS For 24" Wide Panels				
Size of Front and Rear Panel Openings HEIGHT "A"	Part No. of Frame (1)	Flush Mounted Doors (2)		Front & Rear Full Length Panel
		Left Hinged	Right Hinged	
18 1/2" Depth Top or Bottom Panels: 2T-1422-__				
8 13/16"	43-0840-04	Not Avail.	Not Avail.	20-0822-_*
10 9/16"	43-1040-04	Not Avail.	Not Avail.	20-1022-__
12 5/16"	43-1240-04	Not Avail.	Not Avail.	20-1222-__
14 1/16"	43-1440-04	12-1421-_*	12-1425-_*	20-1422-__
15 13/16"	43-1540-04	12-1521-__	12-1525-__	20-1522-__
17 9/16"	43-1740-04	12-1721-__	12-1725-__	20-1722-__
19 5/16"	43-1940-04	12-1921-__	12-1925-__	20-1922-__
21 1/16"	43-2140-04	12-2121-__	12-2125-__	20-2122-__
22" Depth Top or Bottom Panels: 2T-1722-__				
8 13/16"	43-0850-04	Not Avail.	Not Avail.	20-0822-_*
10 9/16"	43-1050-04	Not Avail.	Not Avail.	20-1022-__
12 5/16"	43-1250-04	Not Avail.	Not Avail.	20-1222-__
14 1/16"	43-1450-04	12-1421-_*	12-1425-_*	20-1422-__
15 13/16"	43-1550-04	12-1521-__	12-1525-__	20-1522-__
17 9/16"	43-1750-04	12-1721-__	12-1725-__	20-1722-__
19 5/16"	43-1950-04	12-1921-__	12-1925-__	20-1922-__
21 1/16"	43-2150-04	12-2121-__	12-2125-__	20-2122-__
25 1/2" Depth Top or Bottom Panels: 2T-2122-__				
8 13/16"	43-0860-04	Not Avail.	Not Avail.	20-0822-_*
10 9/16"	43-1060-04	Not Avail.	Not Avail.	20-1022-__
12 5/16"	43-1260-04	Not Avail.	Not Avail.	20-1222-__
14 1/16"	43-1460-04	12-1421-_*	12-1425-_*	20-1422-__
15 13/16"	43-1560-04	12-1521-__	12-1525-__	20-1522-__
17 9/16"	43-1760-04	12-1721-__	12-1725-__	20-1722-__
19 5/16"	43-1960-04	12-1921-__	12-1925-__	20-1922-__
21 1/16"	43-2160-04	12-2121-__	12-2125-__	20-2122-__

FRAME OPTIONS

By inserting the following Add-On after the first 3 digits of the frame part number you can order multiple frame accessories with just a one digit part number change. See chart below for choices.

i.e. - 40H-7022-03 Frame VR 19 x 70 x 22 w/tapped vertical mtg rails

Add-On	Frame accessories included when Add-On is included in frame P/N
A	w/o punched vertical mtg rails and lift blocks**
D	w/o vertical mtg rails
E	w/o vertical mtg rails and w/ lift blocks**
H	w/tapped vertical mtg rails
J	w/tapped vertical mtg rails and lift blocks**

** Lift bolts must be ordered separately. See page C45

NOTES

If ordering front or rear panels or flush mounted doors that will be mounted to tapped rails, then please add **T** to the panel or door P/N
Example: T20-7012-46

*If you require a Lock for your door, specify 'with lock' in the description and add suffix **-LK** to the door P/N.
Example: 11-7011-46-LK

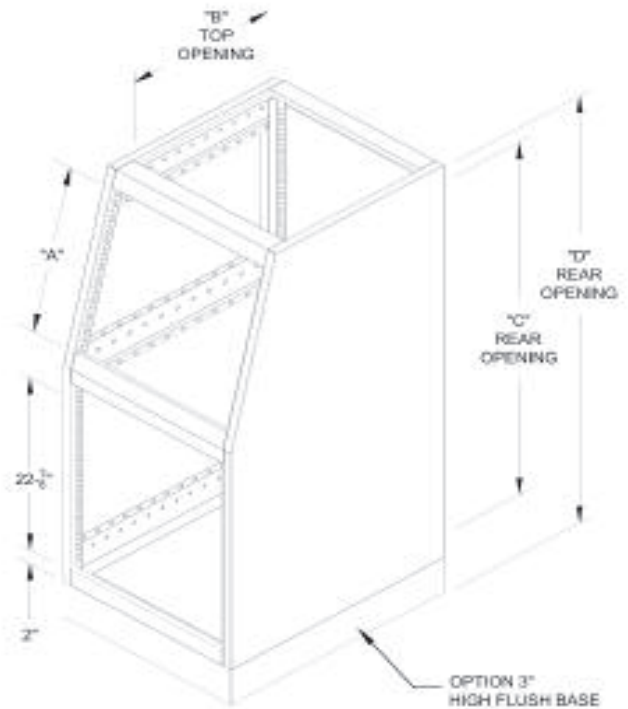
See chart on page D4 for Door and Panel suffix choices.

15° Sloped Front Consoles

The Solid System 15° Sloped Front Consoles are designed as an adaptable cabinet style, especially for single-bay consoles, where electronic equipment is operated by an operator in a sitting position. The Sloped Front Consoles are furnished with adjustable Vertical Mounting Rails in the rear and lower front openings. The Sloped Front Consoles are also readily adaptable to the use of Challenger Work/Writing Shelves, either in a straight multiple bay or angular console configuration. They are available in three slope panel heights, two widths and three depths. Please see Product Features for exact sizes available.

Product Features

- ▶ Frame constructed of 14-gauge and 16-gauge steel
- ▶ Front panel slope is 15° from the vertical
- ▶ Vertical Mounting Rails in sloped opening are removable, but not adjustable
- ▶ Available in 19" and 24" Panel Widths
- ▶ Available in 22", 25 1/2" and 30 3/4" Panel Depths



15° Sloped Front Console

19" Wide Panel Space				
Part No.	A	B	C	D
41-1022-24	10 5/8"	14 1/16"	36 7/8"	43 7/8"
41-1023-24	10 5/8"	17 9/16"	36 7/8"	43 7/8"
41-1027-24	10 5/8"	22 13/16"	36 7/8"	43 7/8"
41-1722-24	17 5/8"	12 5/16"	43 7/8"	50 7/8"
41-1723-24	17 5/8"	15 13/16"	43 7/8"	50 7/8"
41-1727-24	17 5/8"	21 1/16"	43 7/8"	50 7/8"
41-2122-24	21 1/8"	10 9/16"	47 3/8"	54 3/8"
41-2123-24	21 1/8"	14 1/16"	47 3/8"	54 3/8"
41-2127-24	21 1/8"	19 5/16"	47 3/8"	54 3/8"

24" Wide Panel Space				
Part No.	A	B	C	D
41-1025-24	10 5/8"	14 1/16"	36 7/8"	43 7/8"
41-1026-24	10 5/8"	17 9/16"	36 7/8"	43 7/8"
41-1028-24	10 5/8"	22 13/16"	36 7/8"	43 7/8"
41-1725-24	17 5/8"	12 5/16"	43 7/8"	50 7/8"
41-1726-24	17 5/8"	15 13/16"	43 7/8"	50 7/8"
41-1728-24	17 5/8"	21 1/16"	43 7/8"	50 7/8"
41-2125-24	21 1/8"	10 9/16"	47 3/8"	54 3/8"
41-2126-24	21 1/8"	14 1/16"	47 3/8"	54 3/8"
41-2128-24	21 1/8"	19 5/16"	47 3/8"	54 3/8"



15° Sloped Front Consoles

15° SLOPED FRONT CONSOLES For 19" and 24" Wide Panels											
Height of Sloped Opening "A"	Part No. of Frame (1)	Flush* Mounted Doors Lower Front		Face* Mounted Doors Lower Front		Flush* Mounted Doors Full Length Rear		Face* Mounted Doors Full Length Rear		Rear Full Length Panel	Top Panels
		Left Hinged	Right Hinged	Left Hinged	Right Hinged	Left Hinged	Right Hinged	Left Hinged	Right Hinged		
22" Overall Depth, 19" Width Lower Front Panel: 20-2212-__ Bottom Panels: 26-1922-__											
10 5/8"	41-1022-24	12-2211-__	12-2215-__	11-2211-__	11-2215-__	12-3611-__	12-3615-__	11-3611-__	11-3615-__	20-3612-__	20-1412-__
17 5/8"	41-1722-24	12-2211-__	12-2215-__	11-2211-__	11-2215-__	12-4311-__	12-4315-__	11-4311-__	11-4315-__	20-4312-__	20-1212-__
21 1/8"	41-2122-24	12-2211-__	12-2215-__	11-2211-__	11-2215-__	12-4711-__	12-4715-__	11-4711-__	11-4715-__	20-4712-__	20-1012-__
25 1/2" Overall Depth, 19" Width Lower Front Panel: 20-2212-__ Bottom Panels: 26-1925-__											
10 5/8"	41-1023-24	12-2211-__	12-2215-__	11-2211-__	11-2215-__	12-3611-__	12-3615-__	11-3611-__	11-3615-__	20-3612-__	20-1712-__
17 5/8"	41-1723-24	12-2211-__	12-2215-__	11-2211-__	11-2215-__	12-4311-__	12-4315-__	11-4311-__	11-4315-__	20-4312-__	20-1512-__
21 1/8"	41-2123-24	12-2211-__	12-2215-__	11-2211-__	11-2215-__	12-4711-__	12-4715-__	11-4711-__	11-4715-__	20-4712-__	20-1412-__
30 3/4" Overall Depth, 19" Width Lower Front Panel: 20-2212-__ Bottom Panels: 26-1930-__											
10 5/8"	41-1027-24	12-2211-__	12-2215-__	11-2211-__	11-2215-__	12-3611-__	12-3615-__	11-3611-__	11-3615-__	20-3612-__	20-2212-__
17 5/8"	41-1727-24	12-2211-__	12-2215-__	11-2211-__	11-2215-__	12-4311-__	12-4315-__	11-4311-__	11-4315-__	20-4312-__	20-2112-__
21 1/8"	41-2127-24	12-2211-__	12-2215-__	11-2211-__	11-2215-__	12-4711-__	12-4715-__	11-4711-__	11-4715-__	20-4712-__	20-1912-__
22" Overall Depth, 24" Width Lower Front Panel: 20-2222-__ Bottom Panels: 26-2422-__											
10 5/8"	41-1025-24	12-2221-__	12-2225-__	11-2221-__	11-2225-__	12-3621-__	12-3625-__	11-3621-__	11-3625-__	20-3622-__	20-1422-__
17 5/8"	41-1725-24	12-2221-__	12-2225-__	11-2221-__	11-2225-__	12-4321-__	12-4325-__	11-4321-__	11-4325-__	20-4322-__	20-1222-__
21 1/8"	41-2125-24	12-2221-__	12-2225-__	11-2221-__	11-2225-__	12-4721-__	12-4725-__	11-4721-__	11-4725-__	20-4722-__	20-1022-__
25 1/2" Overall Depth, 24" Width Lower Front Panel: 20-2222-__ Bottom Panels: 26-2425-__											
10 5/8"	41-1026-24	12-2221-__	12-2225-__	11-2221-__	11-2225-__	12-3621-__	12-3625-__	11-3621-__	11-3625-__	20-3622-__	20-1722-__
17 5/8"	41-1726-24	12-2221-__	12-2225-__	11-2221-__	11-2225-__	12-4321-__	12-4325-__	11-4321-__	11-4325-__	20-4322-__	20-1522-__
21 1/8"	41-2126-24	12-2221-__	12-2225-__	11-2221-__	11-2225-__	12-4721-__	12-4725-__	11-4721-__	11-4725-__	20-4722-__	20-1422-__
30 3/4" Overall Depth, 24" Width Lower Front Panel: 20-2222-__ Bottom Panels: 26-2430-__											
10 5/8"	41-1028-24	12-2221-__	12-2225-__	11-2221-__	11-2225-__	12-3621-__	12-3625-__	11-3621-__	11-3625-__	20-3622-__	20-2222-__
17 5/8"	41-1728-24	12-2221-__	12-2225-__	11-2221-__	11-2225-__	12-4321-__	12-4325-__	11-4321-__	11-4325-__	20-4322-__	20-2122-__
21 1/8"	41-2128-24	12-2221-__	12-2225-__	11-2221-__	11-2225-__	12-4721-__	12-4725-__	11-4721-__	11-4725-__	20-4722-__	20-1922-__

FRAME OPTIONS

By inserting the following Add-On after the first 3 digits of the frame part number you can order multiple frame accessories with just a one digit part number change. See chart below for choices.
i.e. - 40H-7022-03 Frame VR 19 x 70 x 22 w/tapped vertical mtg rails

Add-On	Frame accessories included when Add-On is included in frame P/N
A	w/o punched vertical mtg rails and lift blocks**
D	w/o vertical mtg rails
E	w/o vertical mtg rails and w/ lift blocks**
H	w/tapped vertical mtg rails
J	w/tapped vertical mtg rails and lift blocks**

** Lift bolts must be ordered separately. See page C45

NOTES

If ordering front or rear panels or flush mounted doors that will be mounted to tapped rails, then please add T to the panel or door P/N

Example: T20-7012-46

*If you require a Lock for your door, specify 'with lock' in the description and add suffix **-LK** to the door P/N.
Example: 11-7011-46-LK

See chart on page D4 for Door and Panel suffix choices.

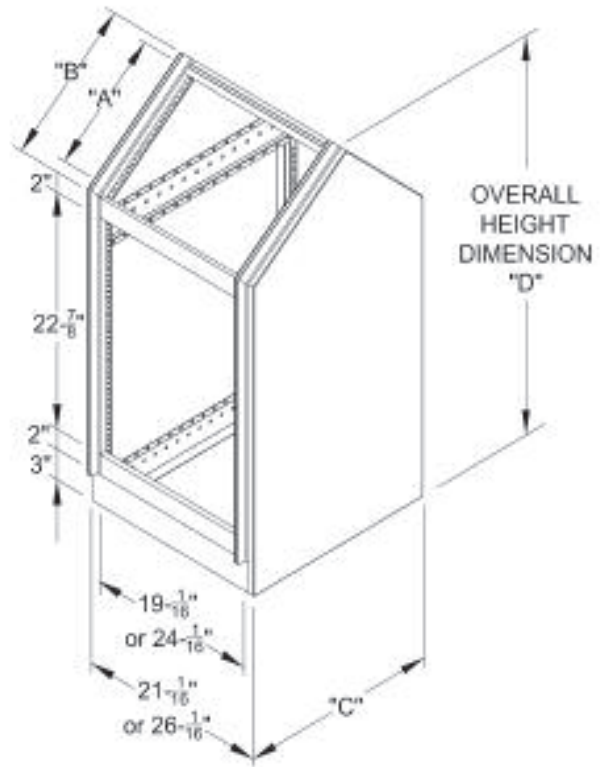


45° Double Slope Consoles

The Solid System 45° Double Slope Consoles are the newest approach in solving the problem of furnishing ample sloped panel space combined with the low silhouette required in many console applications. The Double Slope Console Frames are adaptable with the use of Work/Writing Shelves. These Consoles are furnished with adjustable Vertical Mounting Rails in the lower panel openings. The overall height can be as low as 40 7/8". They are also available in two slope heights, two widths and two depths. Please see Product Features for exact sizes available.

Product Features

- ▶ Frame constructed of 14-gauge and 16-gauge steel
- ▶ Removable flush bases made of 14-gauge steel
- ▶ Slope of Front and Rear Panels is 45° from the vertical
- ▶ Vertical Mounting Rails in sloped openings are removable, but not adjustable.
- ▶ Available in 19" and 24" Panel Widths
- ▶ Available in 22" and 25 1/2" Panel Depths



45° Double Slope Console

19" and 24" Wide Panel Space				
Part No.	A	B	C	D
42-1462-24	14 1/8"	15 9/16"	22"	40 7/8"
42-1563-24	15 7/8"	18 1/32"	25 1/2"	42 5/8"
42-1465-24	14 1/8"	15 9/16"	22"	40 7/8"
42-1566-24	15 7/8"	18 1/32"	25 1/2"	42 5/8"

45° DOUBLE SLOPE CONSOLES For 19" and 24" Panel Widths								
Panel Depth	Part No. of Frame (1)	Flush* Mounted Doors Lower Front or Rear		Face* Mounted Doors Lower Front or Rear		Lower Front or Rear Full Length Panel	Front or Rear Sloped Panels	Bottom Panel
		Left Hinged	Right Hinged	Left Hinged	Right Hinged			
For 22" and 25 1/2" Deep, 19" Wide 45° Double Slope Cabinet Frame								
22"	42-1462-24	12-2211-__	12-2215-__	11-2211-__	11-2215-__	20-2212-__	20-1412-__	26-1922-__
25 1/2"	42-1563-24	12-2211-__	12-2215-__	11-2211-__	11-2215-__	20-2212-__	20-1512-__	26-1925-__
For 22" and 25 1/2" Deep, 24" Wide 45° Double Slope Cabinet Frame								
22"	42-1465-24	12-2221-__	12-2225-__	11-2221-__	11-2225-__	20-2222-__	20-1422-__	26-2422-__
25 1/2"	42-1566-24	12-2221-__	12-2225-__	11-2221-__	11-2225-__	20-2222-__	20-1522-__	26-2425-__

See Frame Options Chart & 'Notes' at the bottom of page D12