

Equipto Express Line 5 Day Service

When you Need Modular Cabinets - Fast!

The Equipto Express Line offers shipment of our most popular size rack enclosures in as-little-as 5-working days. It is ideal for customers who have a need for a configured enclosure ASAP. Your deliver time may be subject to availabilities, special needs and time order is placed. If Equipto Electronics can't meet your specific need with the 5 day Express line, most catalog items can ship in 10-15 working days. Please consult factory for delivery schedule and pricing.

Heavy Duty
Vertical Rack



Challenger
Vertical Rack



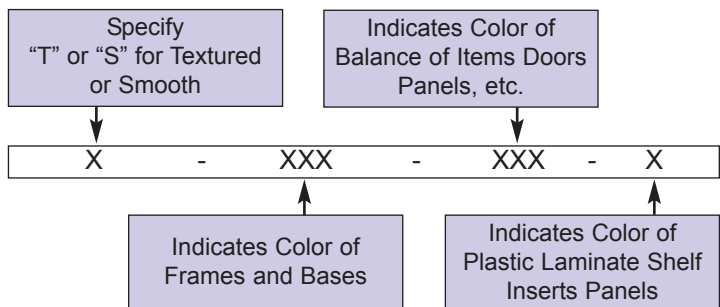
All of the cabinets offered in the Express Line have a 19" panel width. You may choose from Heavy Duty vertical racks, Challenger vertical racks. Racks are available as a single bay or multiple bay. There are a variety of accessories available for each of the lines offered. You may choose from any of our in-stock standard colors - finish will be textured.

Color/Finishes

Ordering Instructions for Standard Colors

Heavy Duty, Challenger and Solid System Cabinets can be furnished in any combination of the standard semi-gloss colors shown. Normally the frame and the base are painted one color and the balance another color. Finishes can be smooth or textured.

Method for Ordering Paint Colors



For any other combination, consult factory.

Example #1

Finish T-091-101-0

Indicates textured two-tone finish with frames and base painted Antique White and balance of the items Royal Blue. No plastic laminate tops.



Example #2

Finish S-051-051-2

Indicates smooth Satin Black all one color with walnut plastic laminate.



Quiptron

The Quiptron Line is furnished with black legs and polished chrome feet. Order the remaining parts in any of 12 standard colors. You also have a choice of Oak, Walnut, or Off-White laminated tops. Static control tops are available in Off-White. Textured paint is standard for this line. For any other combination, consult factory.

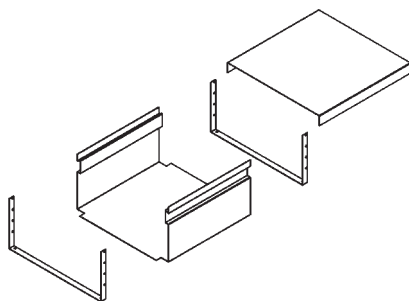


Add your paint no. to your order as follows:

Color Number	Leg-Black Foot-Chrome	Balance of Items	Top Color
(Textured Only)	"	XXX	X
Examples:	"	121	1
All One Color	"	101	2
If No Top Ordered	"	121	0

Instrument Cabinets

Instrument Cabinets can be painted all one color or two-toned. Choose any combination of standard semi-gloss colors in textured finish.



Add your paint no. to your order as follows:

Color Number	Top & Bezels	Bottom
(Textured Only)	XXX	XXX
Examples:	091	022
All One Color	101	101

Equipto Express Line

Express Line products may be ordered in any standard color shown in the color chart. To specify color, refer to the product line instructions listed above.

Note: The following exceptions apply to Express Line orders:

- ▶ All Express finishes are textured.

Terms and Policies

Pricing Policy

EQUIPTO ELECTRONICS CORPORATION prices do not include sales tax, excise tax, or any other government charge upon production, sales or shipment of goods, now imposed or hereafter becoming effective which shall be added when, as and if applicable. ALL PRICES ARE SUBJECT TO CHANGE WITHOUT NOTICE.

TERMS: All EQUIPTO ELECTRONICS CORPORATION prices are F.O.B. our shipping dock, from our plant in Aurora, Illinois. Terms are Net 30 days.

A minimum charge of \$50.00 will apply to each order.

Addressing Orders

All orders must be addressed to EQUIPTO ELECTRONICS CORPORATION, 351 Woodlawn Avenue, Aurora, Illinois 60506-9988. All orders will be considered as offers to purchase only until they have been acknowledged by EQUIPTO ELECTRONICS CORPORATION. Orders will be acknowledged as promptly as possible.

Advance Orders

All orders received by phone, FAX, electronic mail, or otherwise considered advance orders, must be confirmed within seven (7) calendar days. The shipping date will be established from the date that the confirmation of an advance order is received in the offices of EQUIPTO ELECTRONICS CORPORATION in Aurora, Illinois.

Confirmation of Orders

Orders received in the office of EQUIPTO ELECTRONICS CORPORATION, in Aurora, Illinois, by telephone, mail, FAX, or electronic mail bearing a bonafide purchase order number, but not actually executed on the customer's purchase order form, must be confirmed within five (5) working days after receipt of the original offer to buy. If this does not take place shipment of such orders cannot be established and must be based on the date of official acknowledgement by EQUIPTO ELECTRONICS CORPORATION.

Cancellations, Changes or Substitutions

On orders comprised of standard catalog items, a charge may be applied when cancellations of, changes to, or substitutions on such orders are made, based on the manufacturing status of the order at the time that EQUIPTO ELECTRONICS CORPORATION is notified of such action at its offices in Aurora, Illinois,

and will be figured on the net price of the items involved.

Please contact factory for cancellation, change or substitution charges.

Claims for Damage

All material is priced and shipped F.O.B. our plant in Aurora, Illinois. Claims for damaged material must be filed by the purchaser with the carrier. Transportation charges paid by the purchaser include the cost of insurance against damage to the material being shipped. EQUIPTO ELECTRONICS CORPORATION designs and test its packaging to meet the specifications set by the National Safe Transit Association.

Returned Goods

Written authorization must be obtained from EQUIPTO ELECTRONICS CORPORATION before material may be returned for credit. This authorization must be retained prior to the actual return of the material. Returned merchandise is subject to a restocking charge. This charge is figured on the net price of the returned goods. At the time of issuing the return authorization number we will advise you of the re-stocking fee that will be applicable to the returned material. No deductions are allowed in the payment of EQUIPTO ELECTRONICS CORPORATION invoices unless a credit memorandum has been issued by the Corporation. Material which was manufactured to special order, a modification of a standard item, obsolete design or material specially finished, or any materials retained more than 90 days after shipment, are not returnable for credit.

Changes in Design or Structure

In keeping with our basic intention to always present the most modern concept in sheet metal cabinetry and accessories for housing and installing electronic equipment and instrumentation, we will, from time to time make improvements in the design of the EQUIPTO ENCLOSURE SYSTEM and associated equipment. We reserve the right to make these product changes as and when they are deemed necessary.

Engineering Evaluation

We believe that many times it becomes impossible to determine exactly what type of enclosure might be required for a specific project or product. We further believe that a practical approach to this problem is to have a typical unit placed at the disposal of your engineering department for proper evaluation. In this manner, electronic equipment and instrumentation can actually be mounted in a given enclosure to determine, in the original prototype stages, what type of enclosure will best meet your require-

Terms and Policies

ments.

Evaluation units are restricted to standard catalog items and do not include blowers, fans, special or modified components unless specifically agreed to by the factory.

Engineering Evaluation units are available to your engineers upon application to our sales representative in your area. Units will be shipped to you, shipping charges prepaid. You may use the unit for 30 days or longer if necessary. After you have properly evaluated an Equipto Enclosure against your requirements, you may return it to us. Your only cost will be prepayment of shipping charges back to our factory. Should you wish to purchase the unit rather than return it, a discount (percentage to be determined by factory at time of purchase) will be applied against our published list prices.

When we offer you a typical unit for engineering evaluation, we expect that it may be returned to us scratched or damaged. If this occurs, you entail no obligation to us. In fact, if for certain evaluation purposes, like destructive testing, the unit may be damaged beyond repair, we will, upon proper application to the factory, extend to you written permission for destructive testing and final disposal of the unit at your facilities.

Engineering Drawings

Engineering drawings or 3D models, showing such pertinent details as inside clearances, panel areas, over-all heights and widths, and other engineering information, are available to engineers upon request for any of the units in the EQUIPTO ENCLOSURE SYSTEM.

All Equipto Electronics Corporation drawings are on standard military format and are available with limited rights upon direct application to the Engineer Dept. of Equipto Electronics Corporation. Anyone requesting drawings for their documentation will be required to sign a limited rights agreement.

Guarantee

When used for the purpose for which it has been designed, and within the limits as specified, every item manufactured by EQUIPTO ELECTRONICS CORPORATION is guaranteed for one (1) year from the date of purchase against defective material and workmanship. This guarantee does not apply while material, manufactured by EQUIPTO ELECTRONICS CORPORATION, is in transit from our factory to the customer's designated receiving point.

Factory Representatives

EQUIPTO ELECTRONICS CORPORATION is represented by manufacturer's representatives in all of the Continental United States and Canada. EQUIPTO ELECTRONICS CORPORATION sales representatives are trained by the factory, through sales and engineering seminars, to discuss your enclosure problems with you and to solve them by recommending the proper units in the EQUIPTO ENCLOSURE SYSTEM that will best meet your specific requirements.

Pricing Notes

Prices for Heavy Duty and Challenger Vertical frames and Sloped Front frames include punched and plated Vertical Mounting Rails and the fasteners necessary to mount equipment in the frame. Prices do not include a base.

Prices for Heavy Duty and Challenger Angular frames include joining hardware, plain base, top panel and rear panel. Sloped Front angular frame prices also include a sloped front panel. Prices do not include Vertical Mounting Rails.

Prices for all Challenger and Solid System Bench Top frames are without Chassis Guides. If required, Chassis Guides must be ordered separately.

Quiptron desk assemblies are shipped assembled.

Prices for all desks with Electronic Compartments include a plain bottom panel. If grilled panels are required, please specify on your order and contact factory for pricing.

All Express Line prices are net and are not subject to discount.

Additional charges apply when joining Heavy Duty frames. Please contact the factory.

Finishes

The Standard Finish

The standard finish is a single coat of water based, semi-gloss baking enamel. There are seven standard colors available smooth or textured. All parts, sub-assemblies, and assemblies to be painted the standard finish, are thoroughly cleaned and chemically treated to ensure clean, properly etched surfaces for the application of the finish. The enamel, formulated to comply with Equipto Electronics Corporation specifications, is baked on to produce a finish of lasting beauty and durability.

Optional Finishes and Colors

Orders of frames and components may be obtained in any desired color using a water based baking enamel formulated per the Equito Electronics standard finish at no additional charge. To match colors, a 3" x 3" paint chip (minimum size, painted on steel) or the Federal Standard 595 A, B or C color number must accompany each order for a special color.

Additional finishing operations such as priming, oil-based paints, powder coating, vinyls, epoxy, acrylic, lacquer and air dry enamel are also available to match custom requirements. All optional finishes must be quoted from factory. Please contact us for details.

We will decline the use of silicone bearing finishes.